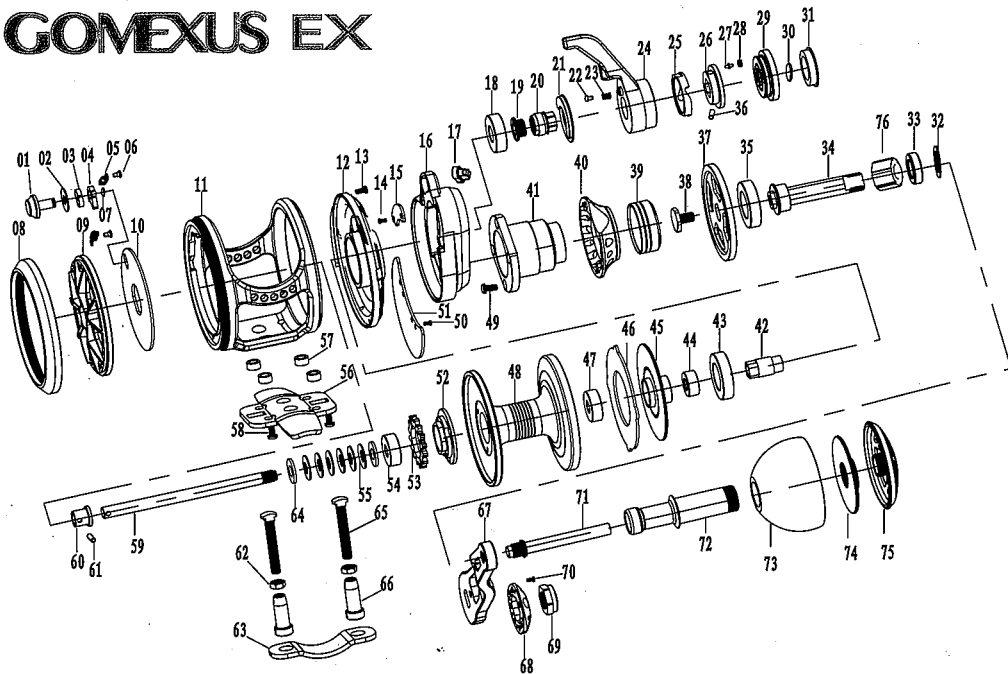
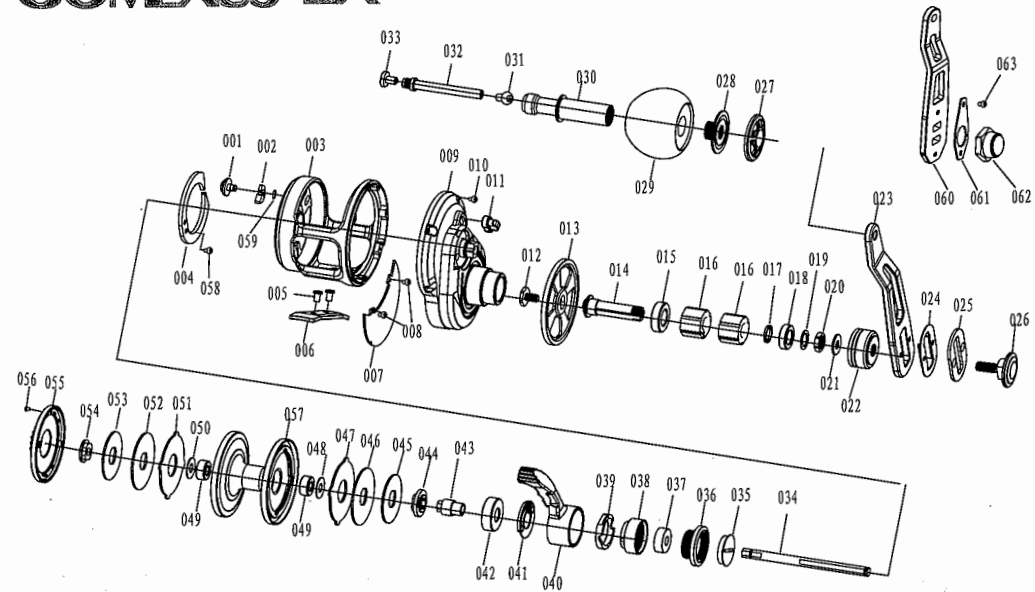


# GOMEXUS EX



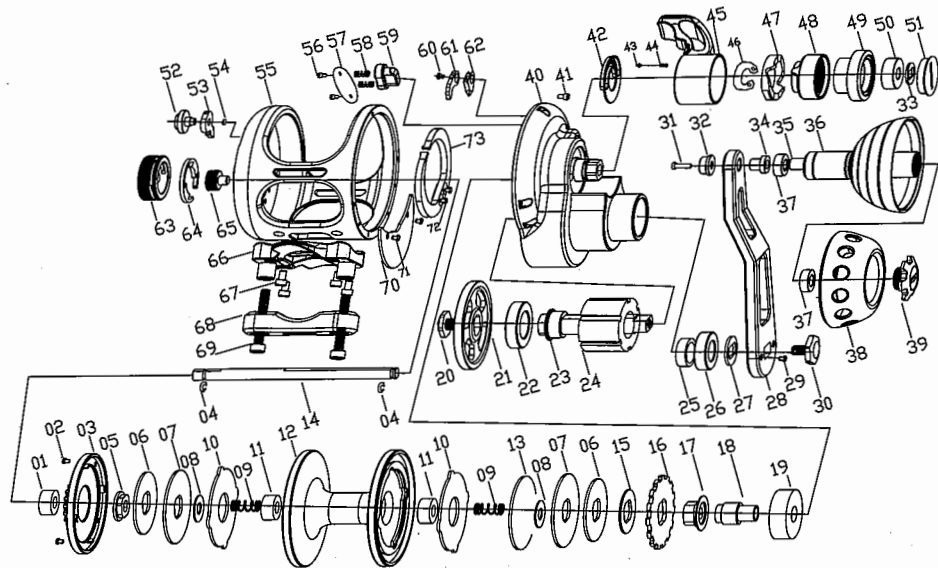
|    |                     |    |                       |    |                        |    |                 |
|----|---------------------|----|-----------------------|----|------------------------|----|-----------------|
| 1  | Clicker pin         | 26 | Cam Cover             | 51 | Gear Cover             | 76 | one-way bearing |
| 2  | Washer              | 27 | pronunciatiion nail   | 52 | Rod Mount drevepipe    | 77 |                 |
| 3  | plastic circlip     | 28 | Screw                 | 53 | Rod Mount gear         | 78 |                 |
| 4  | Clicker             | 29 | Adjustment Knob       | 54 | bearing                | 79 |                 |
| 5  | Spring              | 30 | E circlip             | 55 | convex gasket          | 80 |                 |
| 6  | Screw               | 31 | Adjustment Knob Cover | 56 | Rod Mount(clamp style) |    |                 |
| 7  | E circlip           | 32 | lever arm washer      | 57 | Rod Mount drevepipe    |    |                 |
| 8  | Back cover          | 33 | bearing               | 58 | Screw                  |    |                 |
| 9  | Magnet twist        | 34 | drive shaft           | 59 | Spool Shaft            |    |                 |
| 10 | Corbon gasket       | 35 | bearing               | 60 | shaft drevepipe        |    |                 |
| 11 | Body                | 36 | Cam Cover pin         | 61 | shaft pin              |    |                 |
| 12 | Cover-1             | 37 | drive gear            | 62 | Screw                  |    |                 |
| 13 | Screw               | 38 | Screw                 | 63 | Rod Mount Lock washer  |    |                 |
| 14 | Screw               | 39 | Decorated Cover       | 64 | washer                 |    |                 |
| 15 | Washer              | 40 | Cover cap             | 65 | Screw                  |    |                 |
| 16 | Cover-2             | 41 | one-way bearing cover | 66 | Screw                  |    |                 |
| 17 | Strike bottom       | 42 | Pinion                | 67 | Lever-Arm              |    |                 |
| 18 | bearing             | 43 | bearing               | 68 | Lever-Arm Washer       |    |                 |
| 19 | Screw               | 44 | bearing               | 69 | Lever-Arm Screw        |    |                 |
| 20 | Screw               | 45 | Drag Plate            | 70 | Screw                  |    |                 |
| 21 | Pronunciation Base  | 46 | carbon brake pads     | 71 | Handle Shoulder Shaft  |    |                 |
| 22 | pronunciatiion nail | 47 | bearing               | 72 | Shank Casing           |    |                 |
| 23 | Spring              | 48 | Spool                 | 73 | EVA-Handle             |    |                 |
| 24 | Drag Lever          | 49 | Screw                 | 74 | Handle-pincher screw   |    |                 |
| 25 | Drag Cam            | 50 | Screw                 | 75 | Handle-pincher cover   |    |                 |

# GOMEXUS LX



|    |                         |    |                               |    |                           |
|----|-------------------------|----|-------------------------------|----|---------------------------|
| 1  | Clicker pin             | 26 | Lever-Arm Screw               | 51 | Drag Washer B             |
| 2  | Clicker E-Clip          | 27 | Handle-pincher cover          | 52 | Drag Plate C              |
| 3  | Body                    | 28 | Handle-pincher screw          | 53 | Drag Plate D              |
| 4  | Pronunciation Base Seat | 29 | Bail-Handle                   | 54 | Drag positioning Washer B |
| 5  | Rod Mount Screw         | 30 | T-Shank Casing                | 55 | Clicker Gear              |
| 6  | Rod Mount(clamp style)  | 31 | T-Handle Screw                | 56 | Clicker Gear Screw        |
| 7  | Gear Cover              | 32 | T-Handle Shoulder Shaft       | 57 | Spool                     |
| 8  | Gear Cover Screw        | 33 | T-Handle Shoulder Shaft Screw | 58 | Clicker Gear Screw        |
| 9  | Cover                   | 34 | Spool Shaft                   | 59 | E circlip                 |
| 10 | Cover Screw             | 35 | Adjustment Knob Cover         | 60 | Lever-Arm                 |
| 11 | Strike bottom           | 36 | Adjustment Knob               | 61 | Lever-Arm Washer C        |
| 12 | Drive Shaft Screw       | 37 | Cam Bearing                   | 62 | Lever-Arm Screw           |
| 13 | Drive Gear              | 38 | Cam Cover                     | 63 | Clicker Gear Screw        |
| 14 | Drive Shaft             | 39 | Drag Cam                      | 64 |                           |
| 15 | Bail Bearing A          | 40 | Drag Lever                    | 65 |                           |
| 16 | One-Way Bearing         | 41 | Pronunciation Base            | 66 |                           |
| 17 | Orientation Washer      | 42 | Spool Bearing A               | 67 |                           |
| 18 | Bail Bearing B          | 43 | Pinion                        | 68 |                           |
| 19 | Spring Washer           | 44 | Drag Positioning Washer A     | 69 |                           |
| 20 | Nut                     | 45 | Drag Plate A                  | 70 |                           |
| 21 | Washer                  | 46 | Drag Plate B                  | 71 |                           |
| 22 | Decorated Cover         | 47 | Drag Washer A                 | 72 |                           |
| 23 | Lever-Arm               | 48 | Washer A                      | 73 |                           |
| 24 | Lever-Arm Washer A      | 49 | Spool Bearing B               | 74 |                           |
| 25 | Lever-Arm Washer B      | 50 | Washer B                      | 75 |                           |

# GOMEXUS SX



|     |                           |     |                            |     |                        |
|-----|---------------------------|-----|----------------------------|-----|------------------------|
| 001 | Bearing                   | 020 | Cam Bearing                | 039 | Lever Arm Screw C      |
| 002 | Clicker Gear Screw        | 021 | Adjustment knob Cover      | 040 | Handle Back Cover      |
| 003 | Clicker Gear              | 022 | Clicker Pin                | 041 | Handle Shoulder Shaft  |
| 004 | Pin E-Clip                | 023 | Main Housing               | 042 | Handle Front Cover     |
| 005 | Drag Positioning Washer A | 024 | Clicker Arm                | 043 | One-way Bearing        |
| 006 | Drag Plate A              | 025 | Clicker Arm Screw          | 044 | Drive Shaft Bearing B  |
| 007 | Drag Plate B              | 026 | Gear Cover                 | 045 | Drive Shaft            |
| 008 | Washer                    | 027 | Gear Cover Screw           | 046 | Drive Gear             |
| 009 | Drag Spring               | 028 | Clamp Screw                | 047 | Drive Gear Screw       |
| 010 | Drag Washer               | 029 | Drag Positioning Washer B  | 048 | Rod Mount(clamp style) |
| 011 | Spool Bearing             | 030 | pinion                     | 049 | Rod Mount Screw        |
| 012 | Spool                     | 031 | pinion Bearing             | 050 | Rod Mount Clamp        |
| 013 | Drag Retainer Ring        | 032 | Side Cover                 | 054 | Pronunciation Base     |
| 014 | Spool Shaft               | 033 | Side Cover Screw           | 055 | Pronunciation Nail     |
| 015 | Drag Lever                | 034 | Drive Shaft Bearing A      | 056 | Pronunciation Spring   |
| 016 | Drag Cam                  | 035 | Drive Shaft Bearing Washer | 057 | Drag Lever Pin E-Clip  |
| 017 | Drag Pin                  | 036 | Lever Arm Screw A          | 058 | Spindle Sleeve         |
| 018 | Cam Cover                 | 037 | Lever Arm                  | 059 | Clicker Arm Screw      |
| 019 | Adjustment Knob           | 038 | Lever Arm Screw B          | 060 | Pronunciation Base     |