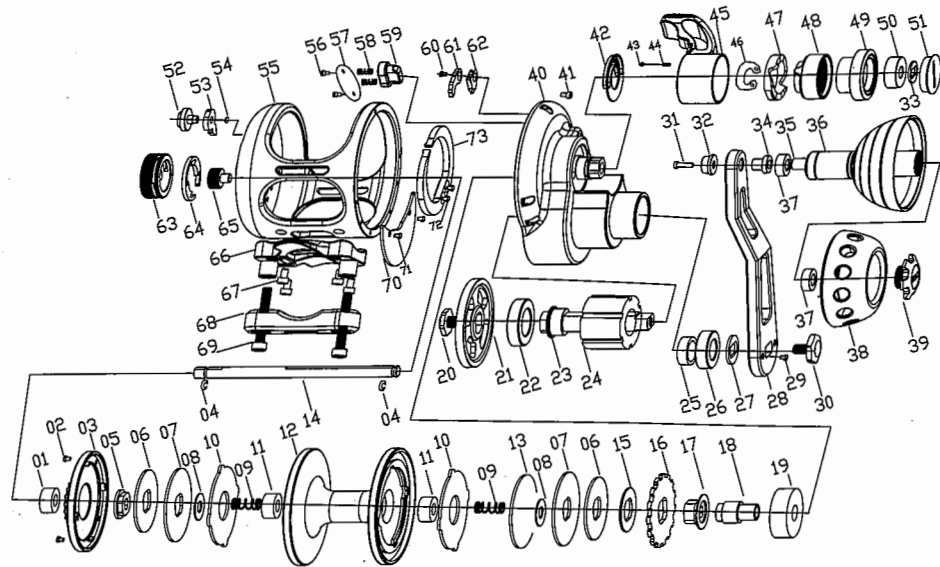


# GOMEXUS SX



001	Bearing	020	Cam Bearing	039	Lever Arm Screw C
002	Clicker Gear Screw	021	Adjustment knob Cover	040	Handle Back Cover
003	Clicker Gear	022	Clicker Pin	041	Handle Shoulder Shaft
004	Pin E-Clip	023	Main Housing	042	Handle Front Cover
005	Drag Positioning Washer A	024	Clicker Arm	043	One-way Bearing
006	Drag Plate A	025	Clicker Arm Screw	044	Drive Shaft Bearing B
007	Drag Plate B	026	Gear Cover	045	Drive Shaft
008	Washer	027	Gear Cover Screw	046	Drive Gear
009	Drag Spring	028	Clamp Screw	047	Drive Gear Screw
010	Drag Washer	029	Drag Positioning Washer B	048	Rod Mount(clamp style)
011	Spool Bearing	030	pinion	049	Rod Mount Screw
012	Spool	031	pinion Bearing	050	Rod Mount Clamp
013	Drag Retainer Ring	032	Side Cover	054	Pronunciation Base
014	Spool Shaft	033	Side Cover Screw	055	Pronunciation Nail
015	Drag Lever	034	Drive Shaft Bearing A	056	Pronunciation Spring
016	Drag Cam	035	Drive Shaft Bearing Washer	057	Drag Lever Pin E-Clip
017	Drag Pin	036	Lever Arm Screw A	058	Spindle Sleeve
018	Cam Cover	037	Lever Arm	059	Clicker Arm Screw
019	Adjustment Knob	038	Lever Arm Screw B	060	Pronunciation Base