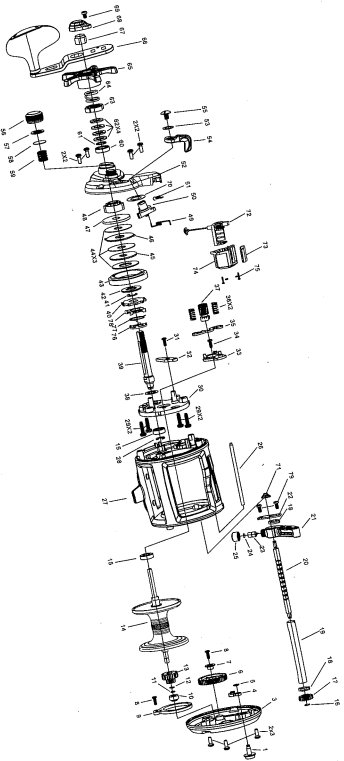




TR 420 LH LC



Key No. Description

- 1 CLICK BUTTON SCREW
- 2 LEFT SIDE PLATE
- 3 CLICK TONGUE
- 4 E-CLIP
- 5 IDLER GEAR
- 6 CLIP
- 7 SCREW
- 8 CLICK SPRING
- 9 BUSHING
- 10 WASHER
- 11 C-CLIP
- 12 CLICK RATCHET SPOOL ASSY
- 13 BALL BEARING
- 14 E-CLIP
- 15 L.C. IDLER GEAR BUSHING
- 16 WORM SHIELD
- 17 WORM SHAFT ASSY
- 18 LINE GUIDE ASSY
- 19 WASHER
- 20 LINE GUIDE PAWL
- 21 WASHER
- 22 LINE GUIDE NUT
- 23 LINE GUIDE SHAFT FRAME
- 24 E-CLIP
- 25 BRIDGE ASSY
- 26 PAWL PIN
- 27 ECCENTRIC JACK
- 28 RIVET
- 29 PINION YOKE
- 30 PINION GEAR
- 31 WASHER
- 32 MAIN GEAR SHAFT RATCHET

Key No. Description

- 41 C-CLIP
- 42 WASHER
- 43 MAIN GEAR
- 44 DRAG WASHER
- 45 KEY WASHER
- 46 EAR WASHER
- 47 KEY WASHER
- 48 ONE WAY CLUTCH SPRING
- 49 ECCENTRIC CAM
- 50 SPRING
- 51 RIGHT SIDE PLATE WASHER
- 52 ECCENTRIC LEVER SCREW
- 53 SPOOL TENSION CLICK SPRING
- 54 WASHER
- 55 WASH
- 56 WASHER
- 57 SPOOL TENSION KNOB
- 58 BALL BEARING
- 59 WASHER
- 60 SPRING WASHER
- 61 STAR CLICK RETAINER
- 62 SPRING
- 63 STAR DRAG
- 64 HANDLE ASSY
- 65 HANDLE NUT
- 66 LOCKING COVER
- 67 WASHER
- 68 GEAR
- 69 COUNTER WHEEL ASSY
- 70 WINDOW
- 71 LINE COUNTER COVER
- 72 SCREW
- 73 RETAINER
- 74 SPRING
- 75 RATCHET
- 76 SCREW
- 77
- 78
- 79



TR 420 LH LC