

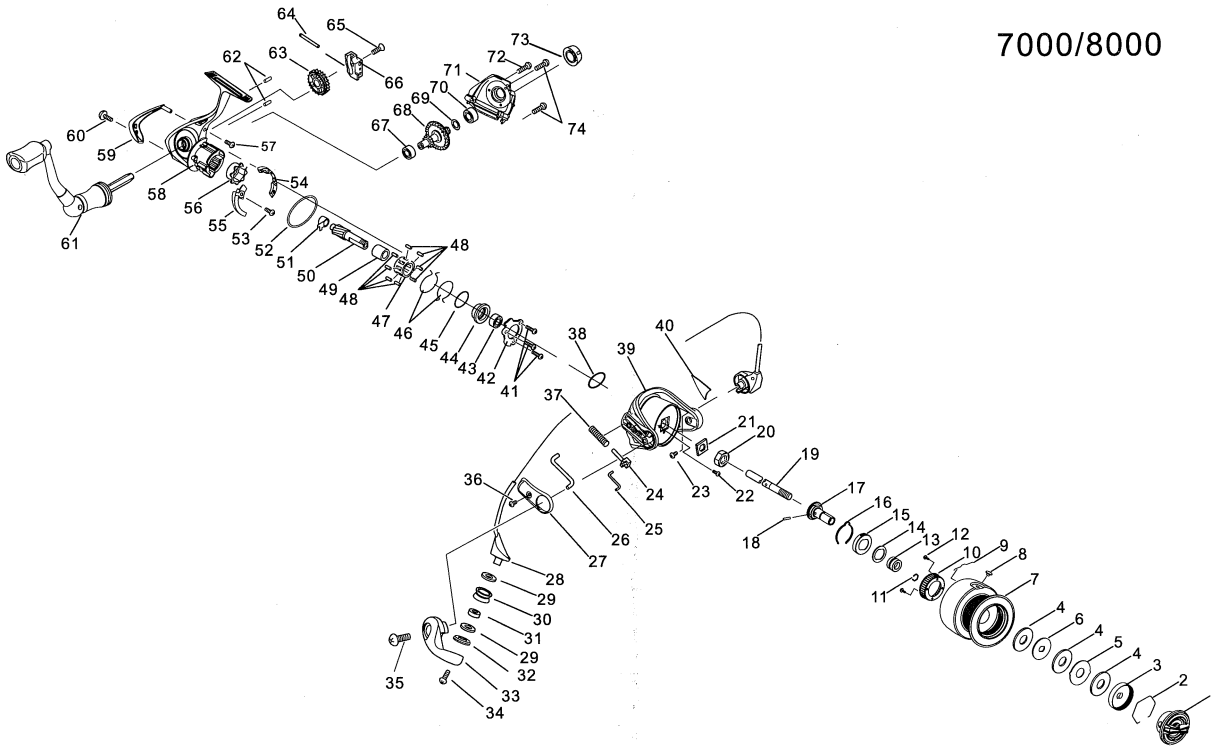
■ PARTS LIST FOR

NO.	PARTS NO.	PARTS NAME	NO.	PARTS NO.	PARTS NAME	NO.	PARTS NO.	PARTS NAME
1	322127	DRAG KNOB ASSY.	26	152018	KICK LEVER	52	162350	BUSH
2	422008	STOPPER SPRING	27	412148	COVER A	53	460023	"O"RING
3	262037	CLICK PLATE	28	9446-02-06	BAIL ARM ASSY.	54	20638	SCREW
4	270053F	DRAG WASHER	29	27705	WASHER	55	682522	KICK CAM
5	262005	DRAG WASHER	30	9446-02-10	ROLLER	56	9446-01-20	CONTROL PLATE
6	262009	DRAG WASHER	31	38248	BALL BEARING	57	9446-06-01	OUTER RING
7	062365	SPOOL ASSY. (5000)	32	27705	WASHER	58	032133	MAIN BODY ASSY.
	062366	SPOOL ASSY. (6000)	33	172000	COLLAR	59	412183	PROTECTOR
8	582102	LINE CLIP	34	9446-02-04	BAIL ARM LEVER	60	20546	SCREW
9	672110	SPRING	35	21165	SCREW	61	20635	SCREW
10	132002	CLICK	36	20663	SCREW	62	072021	HANDLE ASSY.
11	422005	STOPPER SPRING	37	20629	OSCILLATOR SHAFT	63	9446-01-08	BULL GEAR
12	20638	SCREW	38	9446-02-11	DEAD POINT SPRING	64	342153	OSCILLATOR GUIDE SHAFT
13	382119	BUSH	39	462106	"O"RING	65	9446-01-22	SCREW
14	672014	CLICK WASHER	40	052123	ROTOR	66	110104	OSCILLATOR
15	302022	CLICK HOLDER	41	612903	COVER B	67	9446-01-18	BALL BEARING
16	672123	CLICK SPRING	42	20634	SCREW	68	082003	MAIN GEAR
17	342004	BUSH	43	302024	BEARING SUPPORT	69	27290A	WASHER
18	232103	PIN	44	9446-01-17	BALL BEARING	70	9446-01-19	BALL BEARING
19	342164	SHAFT	45	382102	BALL BEARING COLLAR	71	042131	SIDE PLATE
20	9446-01-08	SCREW	46	9446-01-16	HOLDER	72	202024	SCREW
21	9446-01-14	NUT	47	9446-01-21	ONE WAY CLUTCH SPRING	73	20559	SCREW
22	9446-01-15	NUT WASHER	48	9446-06-02	HOLDER	74	0219822	HANDLE CAP ASSY.
23	20634	SCREW	49	9446-06-04	ROLLER	75	26454F	DRAG WASHER
24	68513	SLIDER	50	9446-06-03	INNER RING			
25	9446-02-08	LINK	51	9446-01-06	PINION GEAR			

■ SPECIFICATIONS

Model Name	Gear Ratio	Drag Power (Max.)	Weight	Line Capacity		
5000	5.0:1	7.5kg	404g	0.330mm-200m	0.370mm-160m	0.405mm-130m
6000	5.0:1	7.5kg	406g	0.330mm-230m	0.370mm-200m	0.405mm-150m

7000/8000



■ PARTS LIST

NO.	PARTS NO.	PARTS NAME	NO.	PARTS NO.	PARTS NAME	NO.	PARTS NO.	PARTS NAME
1	02322128	DRAG KNOB ASSY.	26	812124	KICK LEVER	52	460023	"O"RING
2	422007	STOPPER SPRING	27	412163	COVER A	53	212102	SCREW
3	262035	CLICK PLATE ASSY.	28	02292203	BAIL ARM ASSY.	54	49060	CONTROL PLATE
4	26454F	DRAG WASHER	29	27705	WASHER	55	682574	KICK CAM
5	262008	DRAG WASHER	30	252003	ROLLER	56	68568	OUTER RING
6	26456	DRAG WASHER	31	38157	BALL BEARING	57	20377A	SCREW
7	262367	SPOOL ASSY.(7000)	32	17455	COLLAR	58	02032114	MAIN BODY ASSY.
	262368	SPOOL ASSY.(8000)	33	15705	BAIL ARM LEVER	59	412185	PROTECTOR
8	582102	LINE CLIP	34	20656	SCREW	60	KT085-01	SCREW
9	672110	SPRING	35	15706	SCREW	61	02072012	HANDLE ASSY.
10	132003	CLICK	36	20401	SCREW	62	23372	LOCATE PIN
11	422006	STOPPER SPRING	37	67139	DEAD POINT SPRING	63	10501	BULL GEAR
12	20638	SCREW	38	462107	"O"RING	64	342166	OSCILLATOR GUIDE SHAFT
13	382120	BUSH	39	052133	ROTOR	65	20654	SCREW
14	372015	CLICK WASHER	40	612904	COVER B	66	11162	OSCILLATOR
15	302023	CLICK HOLDER	41	20366A	SCREW	67	38227	BALL BEARING
16	672125	CLICK SPRING	42	302024	BEARING SUPPORT	68	082004	MAIN GEAR
17	342005	BUSH	43	30226	BALL BEARING	69	27176	WASHER
18	232104	PIN	44	17449	BALL BEARING COLLAR	70	38226	BALL BEARING
19	342158	SHAFT	45	27728	WASHER	71	02042114	SIDE PLATE
20	18058	HEXAGON NUT	46	67143	ONE WAY CLUTCH SPRING	72	KT115-01	SCREW
21	30172	HEXAGON NUT PLATE	47	68570	HOLDER	73	0219502	HANDLE CAP ASSY.
22	202002	SCREW	48	25097	ROLLER	74	20437A	SCREW
23	20561	SCREW	49	17488	INNER RING			
24	68569	SLIDER	50	09339	PINION GEAR			
25	68572	LINK	51	16364	BUSH			

■ SPECIFICATIONS

Model Name	Gear Ratio	Drag Power (Max.)	Weight	Line Capacity		
7000	5.0:1	10kg	595g	0.370mm-230m	0.405mm-210m	0.435mm-180m
8000	5.0:1	10kg	600g	0.405mm-230m	0.435mm-200m	0.470mm-160m