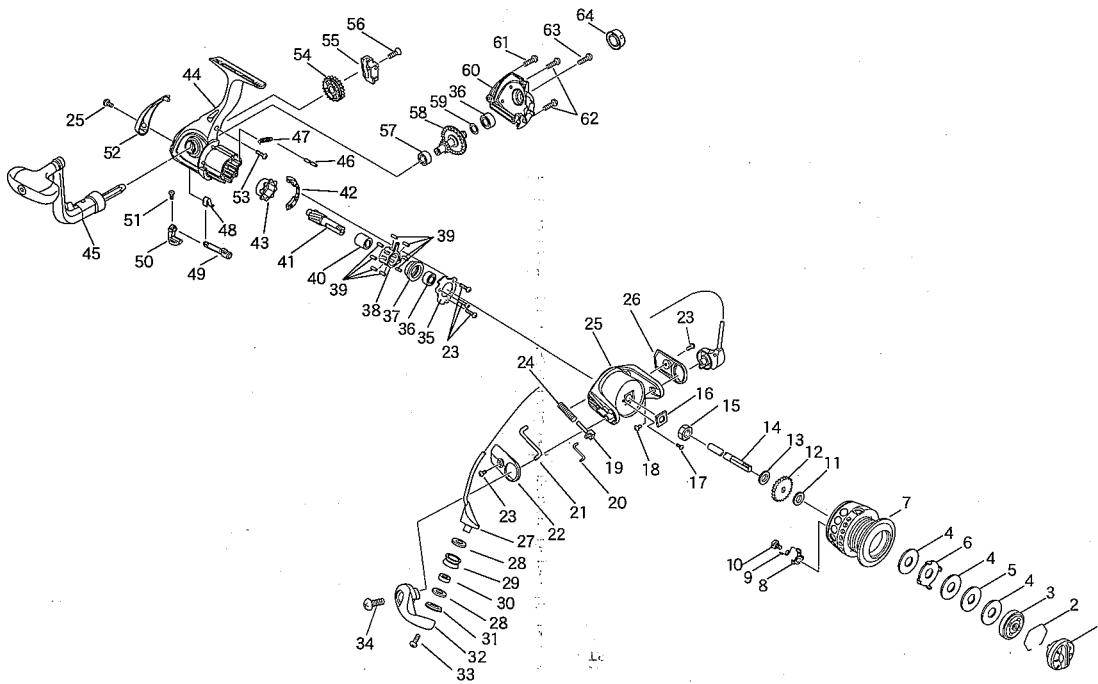


■ EXPLODED VIEW

OASYS 3000/4000



■ PARTS LIST FOR OASYS 3000 AND 4000

KEY NO.	PARTS NO.	PARTS NAME	KEY NO.	PARTS NO.	PARTS NAME	KEY NO.	PARTS NO.	PARTS NAME
1	0232205	DRAG KNOB ASSY.	22	9426-02-03	COVER B	44	9426-01-00	MAIN BODY ASSY.
2	42081	STOPPER SPRING	23	20629	SCREW	45	0207380C	HANDLE ASSY.
3	0268514A	CLICK PLATE ASSY.	24	67145	DEAD POINT SPRING	46	23349	SPRING PIN
4	26440	DRAG WASHER	25	9426-02-01	ROTOR	47	67107	ONE WAY CLUTCH SPRING
5	26437	DRAG WASHER	26	9426-02-02	COVER A	48	8406-01-26	ANTI-REVERSE SPRING
6	26438	DRAG WASHER	27	9426-06-00	BAIL ARM ASSY.	49	8425-08-02	ANTI-REVERSE CAM
7	9426-04-00	SPOOL ASSY. (3000)	28	27704	WASHER	50	152111	ANTI-REVERSE LEVER
	9436-04-00	SPOOL ASSY. (4000)	29	25099	ROLLER	51	8405-LD-01	SCREW
8	33327	CLICK CLAW	30	38248	BALL BEARING	52	9426-01-03	PROTECTOR
9	67108	CLICK CLAW SPRING	31	17451	COLLAR	53	9406-01-25	SCREW
10	21157	CLICK CLAW SCREW	32	15708	BAIL ARM LEVER	54	10488	BULL GEAR
11	27453B	CLICK WASHER	33	21165	SCREW	55	9426-01-09	OSCILLATOR
12	13119	CLICK	34	20663	SCREW	56	20383AB	SCREW
13	27694	SPOOL WASHER	35	30162	BEARING SUPPORT	57	38059	BALL BEARING
14	9426-01-10	SHAFT	36	38049	BALL BEARING	58	9426-01-07	MAIN GEAR
15	18035	NUT	37	9426-01-12	BALL BEARING COLLAR	59	27290A	WASHER
16	302001	NUT WASHER	38	68517	HOLDER	60	9426-08-00	SIDE PLATE ASSY.
17	20662	SCREW	39	25089	ROLLER	61	9426-01-24	SCREW
18	20634	SCREW	40	17413	INNER RING	62	GWB-LD-01	SCREW
19	68513	SLIDER	41	09333	PINION GEAR	63	21146	HANDLE SCREW
20	68471	LINK	42	9426-01-20	CONTROL PLATE	64	0219477	HANDLE CAP ASSY.
21	9426-02-07	KICK LEVER	43	68449	OUTER RING	65		

■ SPECIFICATIONS

Model Name	Gear Ratio	Drag Power (Max.)	Weight	Ball Bearing	Line Capacity		
OASYS 3000	5.0:1	5.0 kg	315g	4	0.235mm-235m	0.285mm-170m	0.330mm-115m
OASYS 4000	5.0:1	5.0 kg	320g	4	0.285mm-200m	0.330mm-150m	0.370mm-115m

DESIGNED AND ENGINEERED IN JAPAN