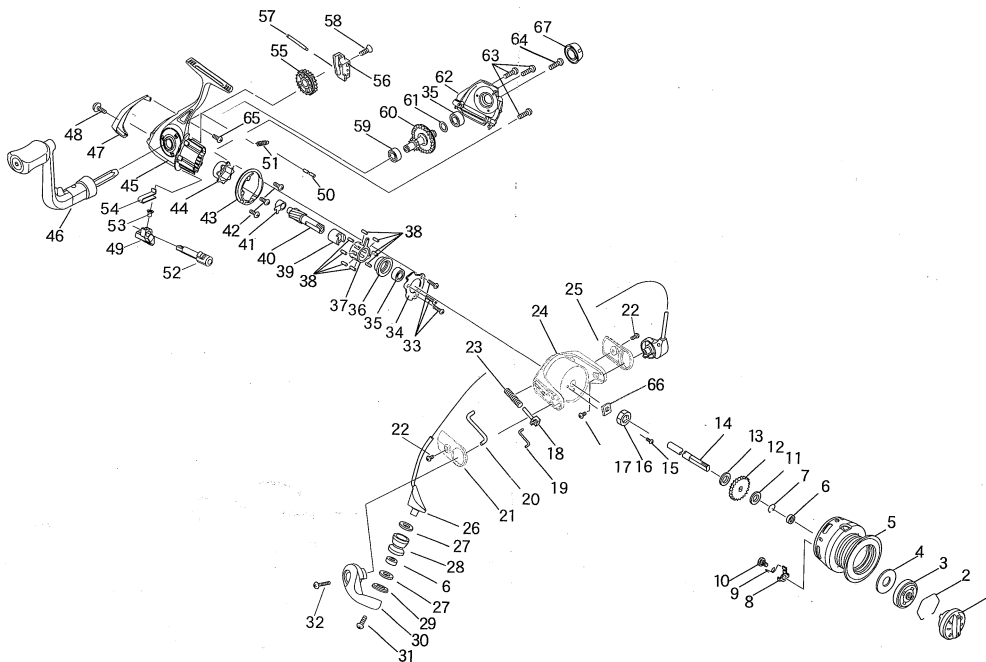


■ EXPLODED VIEW



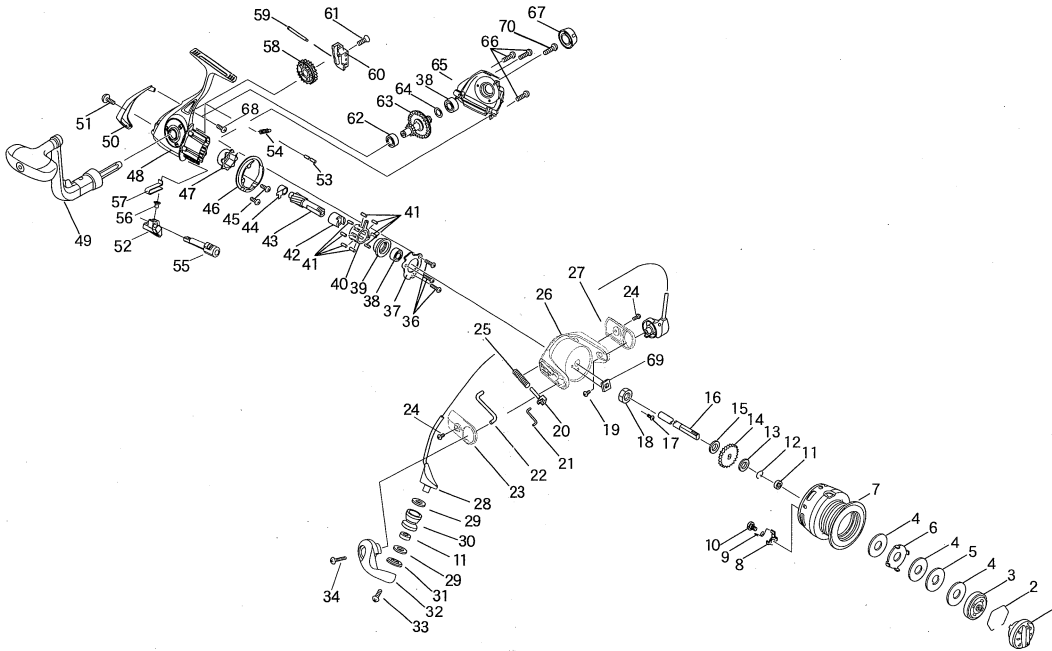
■ PARTS LIST FOR ARCTICA 1000 AND 2000

NO.	PARTS NO.	PARTS NAME	NO.	PARTS NO.	PARTS NAME	NO.	PARTS NO.	PARTS NAME
1	0232198	DRAG KNOB ASSY.	24	02052111	ROTOR	48	20056D	SCREW
2	42081	STOPPER SPRING	25	412115	COVER B	49	152111	ANTI-REVERSE LEVER
3	0268514A	CLICK PLATE ASSY.	26	0229369	BAIL ARM ASSY.	50	23349	SPRING PIN
4	26439	DRAG WASHER	27	27704	WASHER	51	67107	ONE WAY CLUTCH SPRING
5	02062111	SPOOL ASSY. (1000)	28	25099	ROLLER	52	8405-01-28	ANTI-REVERSE CAM
	02062112	SPOOL ASSY. (2000)	29	17451	COLLAR	53	8405-LD-01	SCREW
6	38248	BALL BEARING	30	15708	BAIL ARM LEVER	54	8406-01-26	ANTI-REVERSE SPRING
7	42077	STOPPER RING	31	21165	SCREW	55	10474	BULL GEAR
8	33327	CLICK CLAW	32	20663	SCREW	56	11157	OSCILLATOR
9	67108	CLICK CLAW SPRING	33	20610	SCREW	57	34034	OSCILLATOR GUIDE SHAFT
10	21157	CLICK CLAW SCREW	34	30162	BEARING SUPPORT	58	20383A	SCREW
11	27453B	CLICK WASHER	35	38049	BALL BEARING	59	38059	BALL BEARING
12	13119	CLICK	36	17435	BALL BEARING COLLAR	60	08279	MAIN GEAR
13	27694	SPOOL WASHER	37	68517	HOLDER	61	27290A	WASHER
14	34066	SHAFT	38	25089	ROLLER	62	02042111	SIDE PLATE
15	20662	SCREW	39	17413	INNER RING	63	20559	SCREW
16	18035	HEXAGON NUT	40	09332	PINION GEAR	64	21146	HANDLE SCREW
17	20634	SCREW	41	16358	BUSH	65	209045	SCREW
18	68513	SLIDER	42	20637	SCREW	66	302001	WASHER
19	68519	LINK	43	8405-01-30	KICK CAM	67	0219477	HANDLE CAP ASSY.
20	152113	KICK LEVER	44	68449	OUTER RING			
21	412114	COVER A	45	02032111	MAIN BODY ASSY.			
22	20629	SCREW	46	0207380	HANDLE ASSY.			
23	67077	DEAD POINT SPRING	47	412111	PROTECTOR			

■ SPECIFICATIONS

Model Name	Gear Ratio	Drag Power (Max.)	Weight	Ball Bearing	Line Capacity	
ARCTICA 1000	5.1:1	2.5kg	265g	5	0.235mm-150m	0.285mm-100m
ARCTICA 2000	5.1:1	2.5kg	270g	5	0.285mm-130m	0.330mm-100m

■ EXPLODED VIEW



■ PARTS LIST FOR ARCTICA 3000 AND 4000

NO.	PARTS NO.	PARTS NAME	NO.	PARTS NO.	PARTS NAME	NO.	PARTS NO.	PARTS NAME
1	0232198	DRAG KNOB ASSY.	24	20629	SCREW	49	0207380C	HANDLE ASSY.
2	42081	STOPPER SPRING	25	67077	DEAD POINT SPRING	50	412116	PROTECTOR
3	0268514A	CLICK PLATE ASSY.	26	02052112	ROTOR	51	20056D	SCREW
4	26440	DRAG WASHER	27	412119	COVER B	52	152111	ANTI-REVERSE LEVER
5	26437	DRAG WASHER	28	0229370	BAIL ARM ASSY.	53	23349	SPRING PIN
6	26438	DRAG WASHER	29	27704	WASHER	54	67107	ONE WAY CLUTCH SPRING
7	02062113	SPOOL ASSY.(3000)	30	25099	ROLLER	55	8425-08-02	ANTI-REVERSE CAM
	02062114	SPOOL ASSY.(4000)	31	17451	COLLAR	56	8405-LD-01	SCREW
8	33327	CLICK CLAW	32	15708	BAIL ARM LEVER	57	8406-01-26	ANTI-REVERSE SPRING
9	67108	CLICK CLAW SPRING	33	21165	SCREW	58	10488	BULL GEAR
10	21157	CLICK CLAW SCREW	34	20663	SCREW	59	342111	OSCILLATOR GUIDE SHAFT
11	38248	BALL BEARING	36	20610	SCREW	60	11158	OSCILLATOR
12	42077	STOPPER SPRING	37	30162	BEARING SUPPORT	61	20383A	SCREW
13	27453B	CLICK WASHER	38	38049	BALL BEARING	62	38059	BALL BEARING
14	13119	CLICK	39	17435	BALL BEARING COLLAR	63	08282	MAIN GEAR
15	27694	SPOOL WASHER	40	68517	HOLDER	64	27290A	WASHER
16	34067	SHAFT	41	25089	ROLLER	65	042112	SIDE PLATE
17	20662	SCREW	42	17413	INNER RING	66	20559	SCREW
18	18035	HEXAGON NUT	43	09333	PINION GEAR	67	0219477	HANDLE CAP ASSY.
19	20634	SCREW	44	16359	BUSH	68	209045	SCREW
20	68513	SLIDER	45	20637	SCREW	69	302001	WASHER
21	68519	LINK	46	68524	CAM	70	21146	HANDLE SCREW
22	152112	KICK LEVER	47	68449	OUTER RING			
23	412118	COVER A	48	02032112	MAIN BODY ASSY.			

■ SPECIFICATIONS

Model Name	Gear Ratio	Maximum Drag	Weight	Ball Bearing	Line Capacity	
ARCTICA 3000	5.0:1	5.0Kg	305g	5	0.330mm-140m	0.370mm-120m
ARCTICA 4000	5.0:1	5.0Kg	315g	5	0.330mm-170m	0.370mm-140m