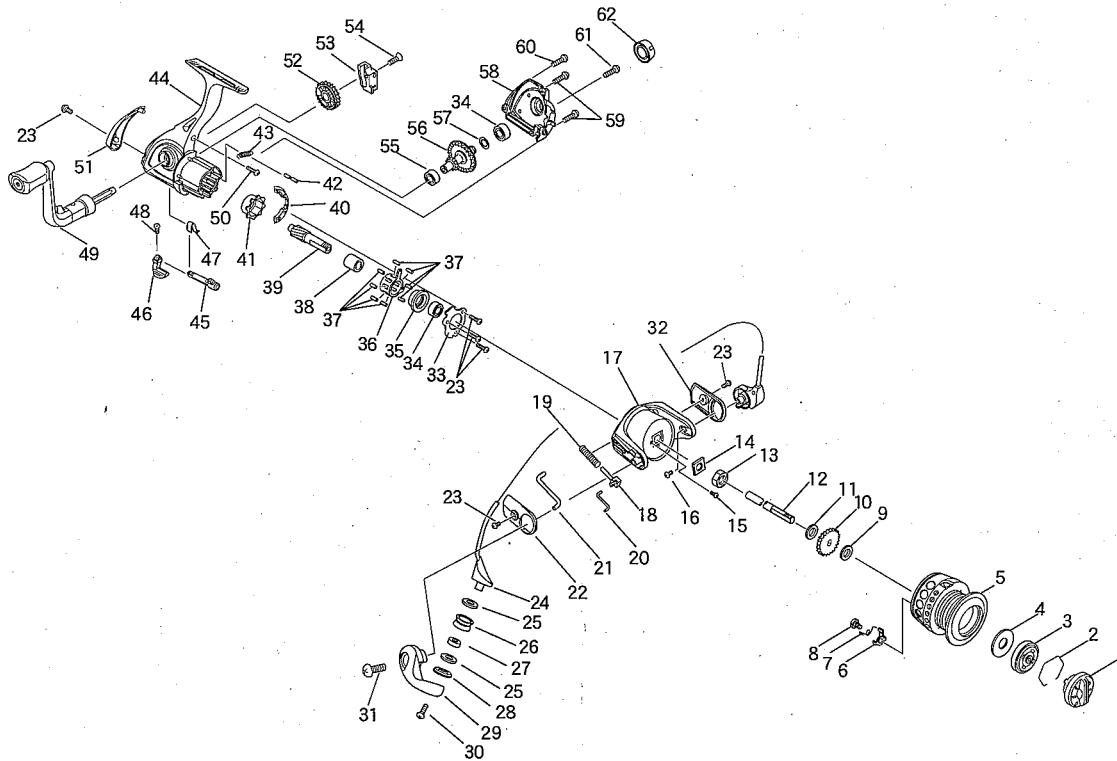


EXPLODED VIEW

OASYS 1000/2000



PARTS LIST FOR OASYS 1000-AND-2000

KEY NO.	PARTS NO.	PARTS NAME	KEY NO.	PARTS NO.	PARTS NAME	KEY NO.	PARTS NO.	PARTS NAME
1	0232205	DRAG KNOB ASSY.	22	41563	COVER A	44	9406-01-00	MAIN BODY ASSY.
2	42081	STOPPER SPRING	23	20629	SCREW	45	8425-01-27	ANTI-REVERSE CAM
3	0268514	CLICK PLATE ASSY.	24	0229369	BAIL ARM ASSY.	46	9406-01-11	ANTI-REVERSE LEVER
4	26439	DRAG WASHER	25	27704	WASHER	47	9406-01-26	ANTI-REVERSE SPRING
5	9406-04-00	SPOOL ASSY.(1000)	26	25099	ROLLER	48	8405-LD-01	SCREW
	9416-04-00	SPOOL ASSY.(2000)	27	38248	BALL BEARING	49	0207380C	HANDLE ASSY.
6	33327	CLICK CLAW	28	17451	COLLAR	50	9406-01-25	SCREW
7	67108	CLICK CLAW SPRING	29	15708	BAIL ARM LEVER	51	9406-01-03	PROTECTOR
8	21127	CLICK CLAW SCREW	30	21165	SCREW	52	10474	BULL GEAR
9	27453B	CLICK WASHER	31	20633	SCREW	53	9406-01-09	OSCILLATOR
10	13119	CLICK	32	41565	COVER B	54	9406-01-22	SCREW
11	27694	SPOOL WASHER	33	30162	BEARING SUPPORT	55	38059	BALL BEARING
12	9406-01-10	SHAFT	34	38049	BALL BEARING	56	08279A	MAIN GEAR
13	18035	NUT	35	172201	BALL BEARING COLLAR	57	27290A	WASHER
14	302001	NUT WASHER	36	68517	HOLDER	58	9406-08-00	SIDE PLATE ASSY.
15	20662	SCREW	37	25089	ROLLER	59	9406-01-23	SCREW
16	20634	SCREW	38	17413	INNER RING	60	9406-01-24	SCREW
17	05268	ROTOR	39	09332	PINION GEAR	61	21146	HANDLE SCREW
18	68513	SLIDER	40	9406-01-20	CONTROL PLATE	62	0219477	HANDLE CAP ASSY.
19	67077	DEAD POINT SPRING	41	68449	OUTER RING	63		
20	68519	LINK	42	23349	SPRING PIN	64		
21	15711	KICK LEVER	43	67107	ONE WAY CLUTCH SPRING	65		

SPECIFICATIONS

Model Name	Gear Ratio	Drag Power (Max.)	Weight	Ball Bearing	Line Capacity		
					0.205mm-150m	0.235mm-115m	0.285mm-80m
OASYS 1000	5.1:1	2.5 kg	276g	4	0.205mm-150m	0.235mm-115m	0.285mm-80m
OASYS 2000	5.1:1	2.5 kg	276g	4	0.235mm-155m	0.285mm-110m	0.330mm-80m

DESIGNED AND ENGINEERED IN JAPAN