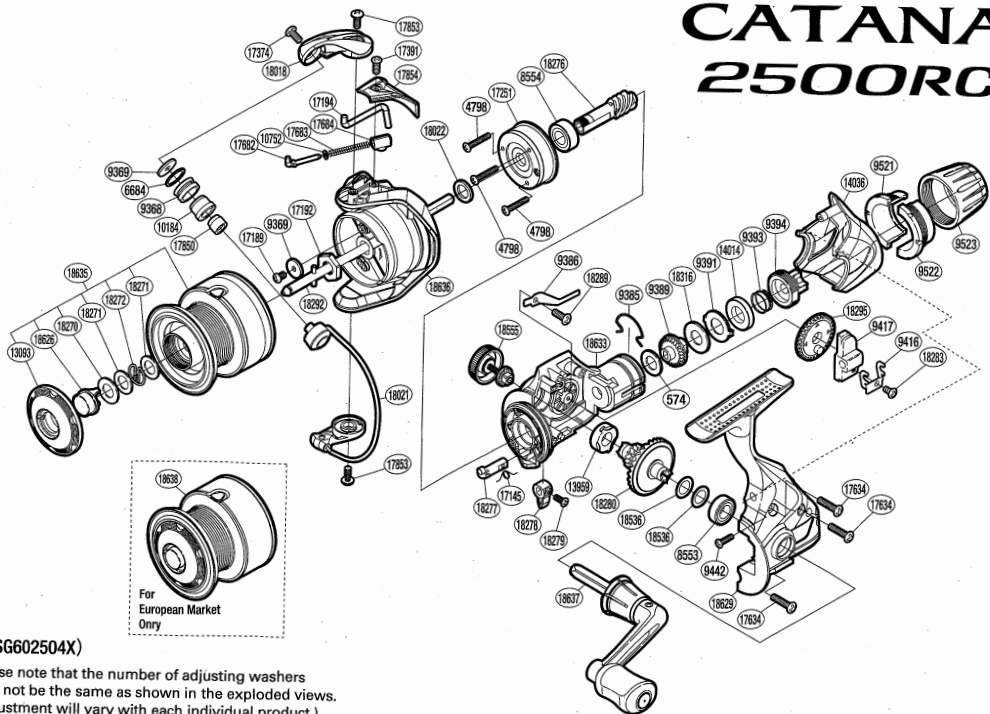


CATANA 2500RC ¹⁷



(51SG602504X)

Please note that the number of adjusting washers may not be the same as shown in the exploded views. (Adjustment will vary with each individual product.)

Part No.	Description	Part No.	Description	Part No.	Description
RD 0574	Drag Washer	RD13959	Drive Gear Bushing	RD18272	Locking Spring
RD 4798	Screw	RD14014	Drag Collar	RD18276	Pinion Gear
RD 6684	Line Roller Spacer	RD14036	Rear Protector	RD18277	Anti-Reverse Cam
RD 8553	Ball Bearing	RD17145	Anti-Reverse Cam Spring	RD18278	Anti-Reverse Lever
RD 8554	Ball Bearing	RD17189	Screw	RD18279	Screw
RD 9368	Line Roller	RD17192	Rotor Nut	RD18280	Drive Gear
RD 9369	Washer	RD17194	Bail Trip Lever	RD18283	Screw
RD 9385	Hold Click Spring	RD17251	Roller Clutch Assembly	RD18289	Screw
RD 9386	Drag Click	RD17374	Screw	RD18292	Main Shaft
RD 9389	Drag Shaft	RD17391	Screw	RD18295	Oscillating Gear
RD 9391	Eared Washer	RD17634	Screw	RD18316	Drag Washer
RD 9393	Drag Coil Spring	RD17682	Bail Spring Guide A	RD18536	Washer
RD 9394	Pressure Screw	RD17683	Bail Spring	RD18555	Handle Screw Cap
RD 9416	Oscillating Slider Retainer	RD17684	Bail Spring Seat	RD18626	Push Button
RD 9417	Oscillating Slider	RD17850	Line Roller Collar	RD18629	Side Cover
RD 9442	Screw	RD17853	Screw	RD18633	Body
RD 9521	Drag Programmer B1	RD17854	Bail Spring Cover	RD18635	Spool Assembly
RD 9522	Drag Programmer B2	RD18018	Bail Arm	RD18636	Rotor
RD 9523	Drag Programmer A	RD18021	Bail Assembly	RD18637	Handle Assembly
RD10184	Line Roller Bushing	RD18022	Washer		
RD10752	Bail Spring Guide A Support	RD18270	Washer		
RD13093	Push Button Collar	RD18271	Washer	RD18638	Spare Spool Assembly