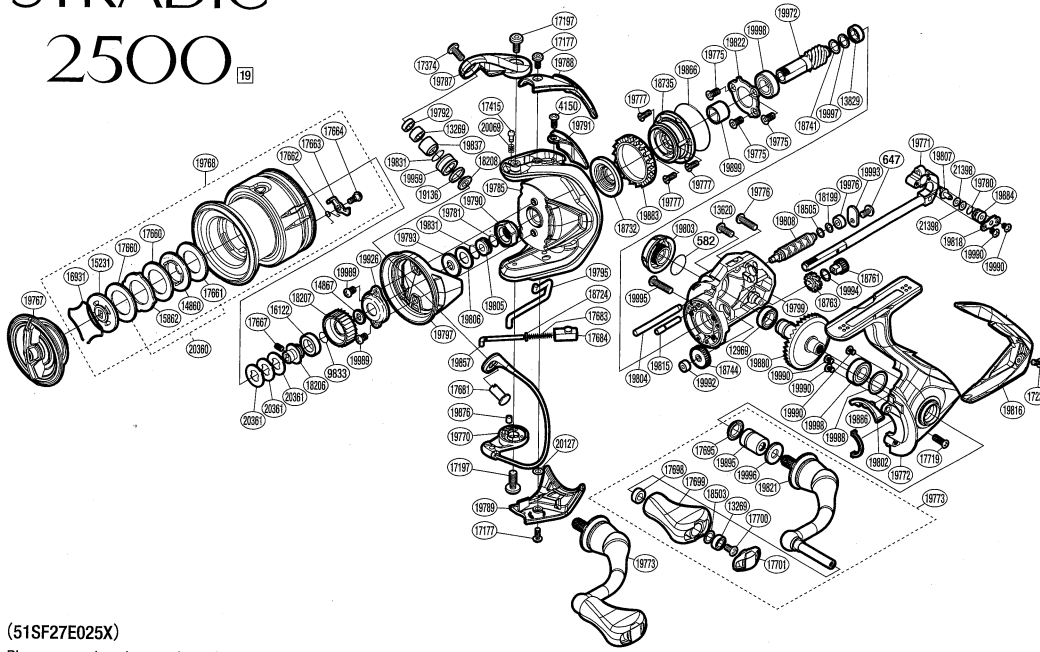


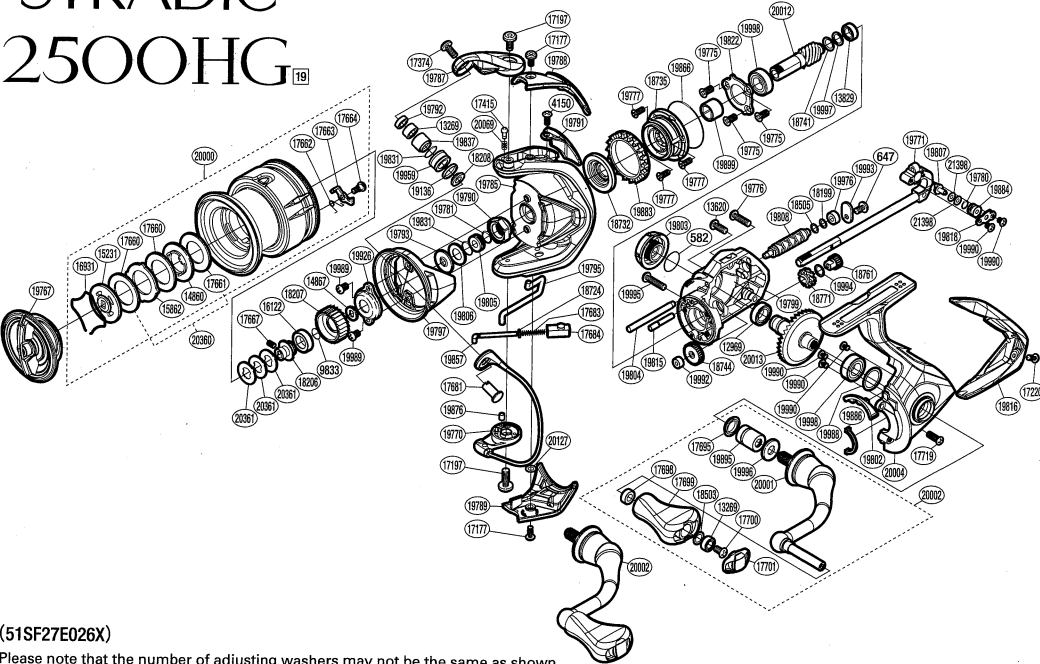
STRADIC 2500¹⁹



(51SF27E025X)

Please note that the number of adjusting washers may not be the same as shown in the exploded views. (Adjustment will vary with each individual product.)

STRADIC 2500HG¹⁹



(51SF27E026X)

Please note that the number of adjusting washers may not be the same as shown in the exploded views. (Adjustment will vary with each individual product.)

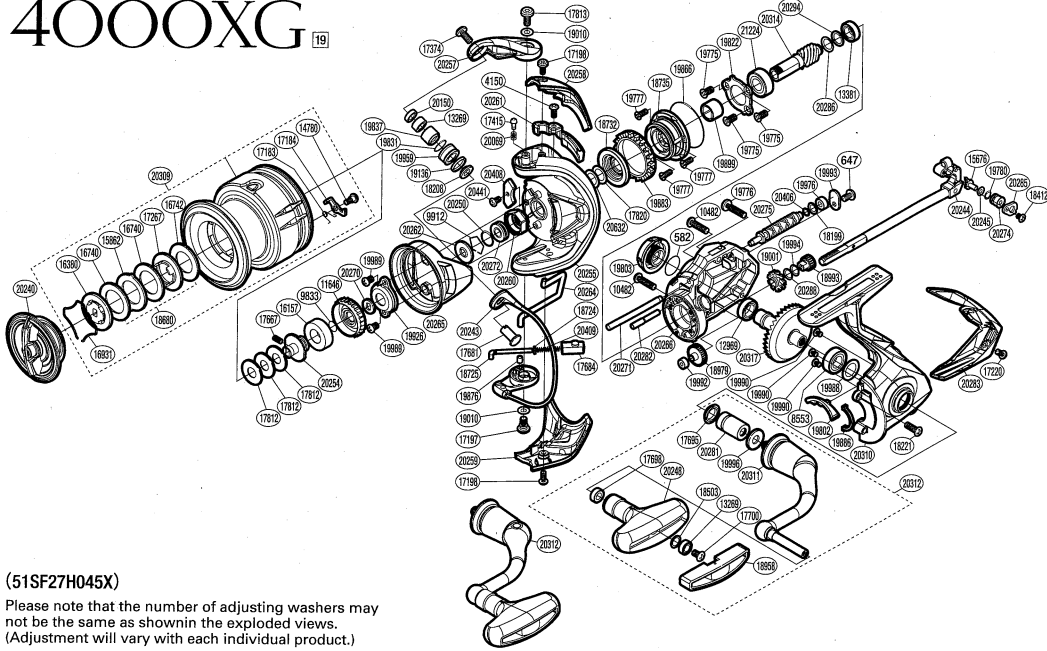
Part No.	Description	Part No.	Description	Part No.	Description
RD 0582	O Ring	RD18503	Washer	RD19808	Worm Shaft
RD 0647	Screw	RD18505	Washer	RD19815	Idle Gear B Shaft
RD 4150	Screw	RD18724	Spring Guide A Support	RD19816	Rear Protector
RD 9833	Ratchet Spring	RD18732	Rotor Ring	RD19818	Oscillating Pawl Cover
RD12969	Ball Bearing	RD18735	Roller Clutch Assembly	RD19821	Handle Shank Assembly
RD13269	Ball Bearing	RD18741	Washer	RD19822	Bearing Retainer
RD13620	Screw	RD18744	Idle Gear	RD19831	O Ring
RD13829	Washer	RD18761	Idle Gear B Small	RD19837	Line Roller Bushing
RD14860	Key Washer	RD18763	Idle Gear B Large	RD19857	Bail Spring Guide A
RD14867	Spool Support	RD19136	Line Roller Spacer	RD19866	O Ring
RD15231	Key Washer	RD19767	Drag Knob Assembly	RD19876	Bail Spring Guide A Bush
RD15862	Eared Washer	RD19768	Spool Assembly	RD19880	Drive Gear
RD16122	Spool Bushing	RD19770	Bail Assembly	RD19883	Friction Ring
RD16931	Drag Washer Retainer	RD19771	Main Shaft Assembly	RD19884	Oscillating Slider Bushing
RD17177	Screw	RD19772	Side Cover Assembly	RD19886	Flange Water Proof
RD17197	Screw	RD19773	Handle Assembly	RD19895	Handle Shaft Cover B
RD17220	Screw	RD19775	Screw	RD19899	Roller Clutch Inner
RD17374	Screw	RD19776	Screw	RD19926	Rotor Nut Lock Plate
RD17415	Click Pin	RD19777	Screw	RD19959	Line Roller
RD17660	Drag Washer	RD19780	O Ring	RD19972	Pinion Gear
RD17661	Drag Washer	RD19781	O Ring	RD19976	Worm Bushing (Rear)
RD17662	Drag Click Spring	RD19785	Rotor	RD19988	Washer
RD17663	Drag Click	RD19787	Bail Arm	RD19989	Screw
RD17664	Screw	RD19788	Bail Spring Cover	RD19990	Screw
RD17667	Set Screw	RD19789	Bail Hold Support Guard	RD19992	Worm Bushing (Front)
RD17681	Line Roller Support	RD19790	Rotor Nut	RD19993	Worm Shaft Retainer
RD17683	Bail Spring	RD19791	Counter Weight	RD19994	Washer
RD17684	Bail Spring Guide B	RD19792	Line Roller Collar	RD19995	Screw
RD17695	Handle Shaft Seal	RD19793	Bearing Water Proof	RD19996	Washer
RD17698	Handle Knob Bushing	RD19795	Bail Trip Lever	RD19997	Washer
RD17699	Handle Knob	RD19797	Rotor Brim	RD19998	Ball Bearing
RD17700	Screw	RD19799	Body	RD20069	Click Spring
RD17701	Handle Knob Seal	RD19802	Bail Trip Strike	RD20127	Washer
RD17719	Screw	RD19803	Handle Screw Cap	RD20360	Drag Washer
RD18199	Washer	RD19804	Oscillating Guide A	RD20361	Spool Washer
RD18206	Bearing Bushing	RD19805	Main Shaft Collar	RD21398	Washer
RD18207	Drag Click Ratchet	RD19806	Washer		
RD18208	Spacer	RD19807	Oscillating Pawl		

(210514)_008

Part No.	Description	Part No.	Description	Part No.	Description
RD 0582	O Ring	RD18503	Washer	RD19818	Oscillating Pawl Cover
RD 0647	Screw	RD18505	Washer	RD19822	Bearing Retainer
RD 4150	Screw	RD18724	Spring Guide A Support	RD19831	O Ring
RD 9833	Ratchet Spring	RD18732	Rotor Ring	RD19837	Line Roller Bushing
RD12969	Ball Bearing	RD18735	Roller Clutch Assembly	RD19857	Bail Spring Guide A
RD13269	Ball Bearing	RD18741	Washer	RD19866	O Ring
RD13620	Screw	RD18744	Idle Gear	RD19876	Bail Spring Guide A Bush
RD13829	Ball Bearing	RD18761	Idle Gear B Small	RD19883	Friction Ring
RD14860	Key Washer	RD18771	Idle Gear B Large	RD19884	Oscillating Slider Bushing
RD14867	Spool Support	RD19136	Line Roller Spacer	RD19886	Flange Water Proof
RD15231	Key Washer	RD19767	Drag Knob Assembly	RD19895	Handle Shaft Cover B
RD15862	Eared Washer	RD19770	Bail Assembly	RD19899	Roller Clutch Inner
RD16122	Spool Bushing	RD19771	Main Shaft Assembly	RD19926	Rotor Nut Lock Plate
RD16931	Drag Washer Retainer	RD19775	Screw	RD19959	Line Roller
RD17177	Screw	RD19776	Screw	RD19976	Worm Bushing (Rear)
RD17197	Screw	RD19777	Screw	RD19988	Washer
RD17220	Screw	RD19780	O Ring	RD19989	Screw
RD17374	Screw	RD19781	O Ring	RD19990	Screw
RD17415	Click Pin	RD19785	Rotor	RD19992	Worm Bushing (Front)
RD17660	Drag Washer	RD19787	Bail Arm	RD19993	Worm Shaft Retainer
RD17661	Drag Washer	RD19788	Bail Spring Cover	RD19994	Washer
RD17662	Drag Click Spring	RD19789	Bail Hold Support Guard	RD19995	Screw
RD17663	Drag Click	RD19790	Rotor Nut	RD19996	Washer
RD17664	Screw	RD19791	Counter Weight	RD19997	Washer
RD17667	Set Screw	RD19792	Line Roller Collar	RD19998	Ball Bearing
RD17681	Line Roller Support	RD19793	Bearing Water Proof	RD20000	Spool Assembly
RD17683	Bail Spring	RD19795	Bail Trip Lever	RD20001	Handle Shank Assembly
RD17684	Bail Spring Guide B	RD19797	Rotor Brim	RD20002	Handle Assembly
RD17695	Handle Shaft Seal	RD19799	Body	RD20004	Side Cover Assembly
RD17698	Handle Knob Bushing	RD19802	Bail Trip Strike	RD20012	Pinion Gear
RD17699	Handle Knob	RD19803	Handle Screw Cap	RD20013	Drive Gear
RD17700	Screw	RD19804	Oscillating Guide A	RD20069	Click Spring
RD17701	Handle Knob Seal	RD19805	Main Shaft Collar	RD20127	Washer
RD17719	Screw	RD19806	Washer	RD20360	Drag Washer
RD18199	Washer	RD19807	Oscillating Pawl	RD20361	Spool Washer
RD18206	Bearing Bushing	RD19808	Worm Shaft	RD21398	Washer
RD18207	Drag Click Ratchet	RD19815	Idle Gear B Shaft		
RD18208	Spacer	RD19816	Rear Protector		

(210514)_008

STRADIC 4000XG ¹⁹

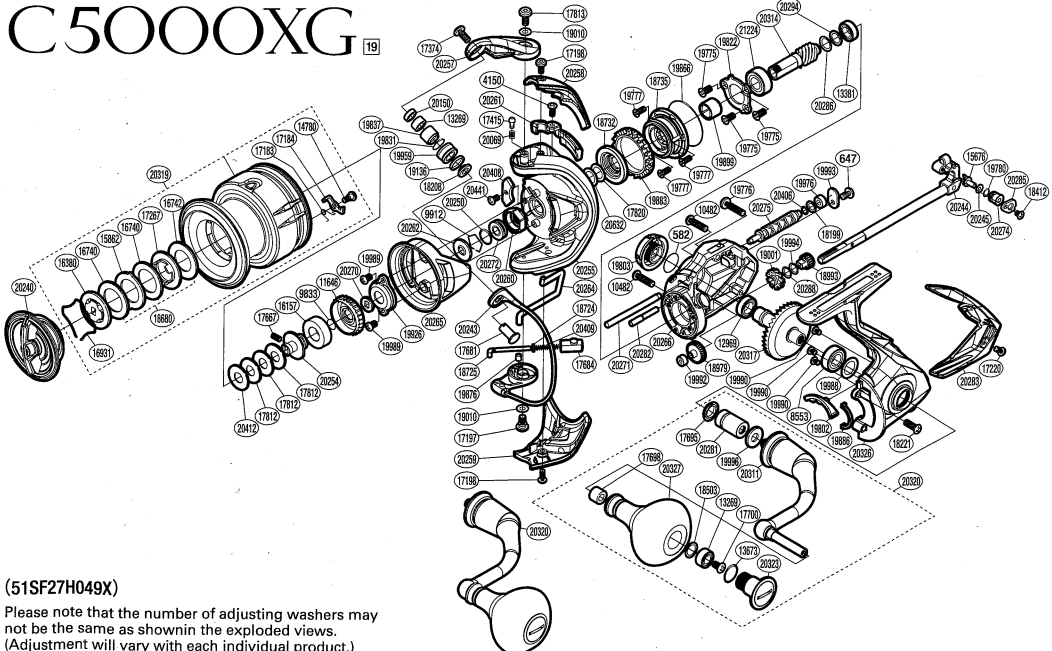


(51SF27H045X)
Please note that the number of adjusting washers may not be the same as shown in the exploded views. (Adjustment will vary with each individual product.)

Part No.	Description	Part No.	Description	Part No.	Description
RD 0582	O Ring	RD18503	Washer	RD20244	Main Shaft Assembly
RD 0647	Screw	RD18680	Drag Washer	RD20245	Washer
RD 4150	Screw	RD18724	Spring Guide A Support	RD20248	Handle Knob Assembly
RD 8553	Ball Bearing	RD18725	Bail Spring Guide A	RD20250	O Ring
RD 9833	Ratchet Spring	RD18732	Rotor Ring	RD20254	Bearing Bushing
RD 9912	Bearing Retainer	RD18735	Roller Clutch Assembly	RD20255	Rotor
RD10482	Screw	RD18958	Handle Knob Seal	RD20257	Bail Arm
RD11646	Drag Click Ratchet	RD18979	Idle Gear	RD20258	Bail Spring Cover
RD12969	Ball Bearing	RD18993	Idle Gear (Small)	RD20259	Bail Hold Support Guard
RD13269	Ball Bearing	RD19001	Idle Gear (Large)	RD20260	Rotor Nut
RD13381	Ball Bearing	RD19010	Washer	RD20261	Counter Weight
RD14780	Screw	RD19136	Line Roller Spacer	RD20262	Bearing Water Proof
RD15676	Oscillating Pawl	RD19775	Screw	RD20264	Bail Trip Lever
RD15862	Eared Washer	RD19776	Screw	RD20265	Rotor Brim
RD16157	Spool Bushing	RD19777	Screw	RD20266	Body
RD16380	Key Washer	RD19780	O Ring	RD20270	Spool Support
RD16740	Drag Washer	RD19802	Bail Trip Strike	RD20271	Oscillating Guide A
RD16742	Drag Washer	RD19803	Handle Screw Cap	RD20272	Main Shaft Collar
RD16931	Drag Washer Retainer	RD19822	Bearing Retainer	RD20274	Oscillating Slider Bushing
RD17183	Drag Click Spring	RD19831	O Ring	RD20275	Worm Shaft
RD17184	Drag Click	RD19837	Line Roller Bushing	RD20281	Handle Shaft Cover B
RD17197	Screw	RD19866	O Ring	RD20282	Idle Gear B Shaft
RD17198	Screw	RD19876	Bail Spring Guide A Bush	RD20283	Rear Protector
RD17220	Screw	RD19883	Friction Ring	RD20285	Oscillating Pawl Cover
RD17267	Key Washer	RD19886	Flange Water Proof	RD20286	Washer
RD17374	Screw	RD19899	Roller Clutch Inner	RD20288	Washer
RD17415	Click Pin	RD19926	Rotor Nut Lock Plate	RD20294	Washer
RD17681	Set Screw	RD19959	Line Roller	RD20309	Spool Assembly
RD17684	Line Roller Support	RD19976	Worm Bushing (Rear)	RD20310	Side Cover Assembly
RD17695	Ball Spring Guide B	RD19988	Washer	RD20311	Handle Shank Assembly
RD17698	Handle Shaft Seal	RD19989	Screw	RD20312	Handle Assembly
RD17698	Handle Knob Bushing	RD19990	Screw	RD20314	Pinion Gear
RD17700	Screw	RD19992	Worm Bushing (Front)	RD20317	Drive Gear
RD17812	Spool Washer	RD19993	Worm Shaft Retainer	RD20406	Washer
RD17813	Screw	RD19994	Washer	RD20408	Counter Weight A
RD17820	Washer	RD19996	Washer	RD20409	Bail Spring
RD18199	Washer	RD20069	Click Spring	RD20441	Screw
RD18208	Spacer	RD20150	Line Roller Collar	RD20632	Washer
RD18221	Screw	RD20240	Drag Knob	RD21224	Bail Bearing
RD18412	Screw	RD20243	Bail Assembly		

(200818)_008

STRADIC C5000XG ¹⁹

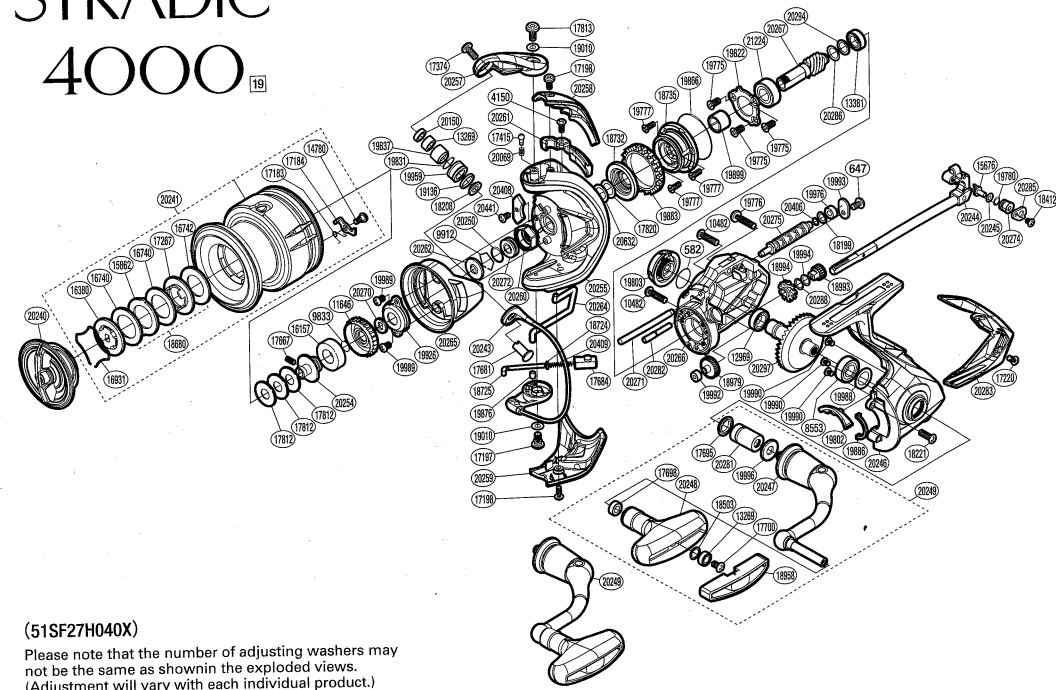


(51SF27H049X)
Please note that the number of adjusting washers may not be the same as shown in the exploded views. (Adjustment will vary with each individual product.)

Part No.	Description	Part No.	Description	Part No.	Description
RD 0582	O Ring	RD18503	Washer	RD20250	O Ring
RD 0647	Screw	RD18680	Drag Washer	RD20254	Bearing Bushing
RD 4150	Screw	RD18724	Spring Guide A Support	RD20255	Rotor
RD 8553	Ball Bearing	RD18725	Bail Spring Guide A	RD20257	Bail Arm
RD 9833	Ratchet Spring	RD18732	Rotor Ring	RD20258	Bail Spring Cover
RD 9912	Bearing Retainer	RD18735	Roller Clutch Assembly	RD20259	Bail Hold Support Guard
RD10482	Screw	RD18979	Idle Gear	RD20260	Rotor Nut
RD11646	Drag Click Ratchet	RD18993	Idle Gear (Small)	RD20261	Counter Weight
RD12969	Ball Bearing	RD19001	Idle Gear (Large)	RD20262	Bearing Water Proof
RD13269	Ball Bearing	RD19010	Washer	RD20264	Bail Trip Lever
RD13381	Ball Bearing	RD19136	Line Roller Spacer	RD20265	Rotor Brim
RD13673	O Ring	RD19775	Screw	RD20266	Body
RD14780	Screw	RD19776	Screw	RD20270	Spool Support
RD15676	Oscillating Pawl	RD19777	Screw	RD20271	Oscillating Guide A
RD15862	Eared Washer	RD19780	O Ring	RD20272	Main Shaft Collar
RD16157	Spool Bushing	RD19802	Bail Trip Strike	RD20274	Oscillating Slider Bushing
RD16380	Key Washer	RD19803	Handle Screw Cap	RD20275	Worm Shaft
RD16740	Drag Washer	RD19822	Bearing Retainer	RD20281	Handle Shaft Cover B
RD16742	Drag Washer	RD19831	O Ring	RD20282	Idle Gear B Shaft
RD16931	Drag Washer Retainer	RD19837	Line Roller Bushing	RD20283	Rear Protector
RD17183	Drag Click Spring	RD19866	O Ring	RD20285	Oscillating Pawl Cover
RD17184	Drag Click	RD19876	Bail Spring Guide A Bush	RD20286	Washer
RD17197	Screw	RD19883	Friction Ring	RD20288	Washer
RD17198	Screw	RD19886	Flange Water Proof	RD20294	Washer
RD17220	Screw	RD19899	Roller Clutch Inner	RD20314	Pinion Gear
RD17267	Key Washer	RD19926	Rotor Nut Lock Plate	RD20317	Drive Gear
RD17374	Screw	RD19959	Line Roller	RD20319	Spool Assembly
RD17415	Click Pin	RD19976	Worm Bushing (Rear)	RD20317	Drive Gear
RD17681	Set Screw	RD19988	Washer	RD20319	Spool Assembly
RD17684	Line Roller Support	RD19989	Screw	RD20320	Handle Assembly
RD17695	Ball Spring Guide B	RD19989	Screw	RD20323	Handle Knob Seal
RD17698	Handle Shaft Seal	RD19990	Screw	RD20326	Side Cover Assembly
RD17698	Handle Knob Bushing	RD19992	Worm Bushing (Front)	RD20327	Handle Knob Assembly
RD17700	Screw	RD19993	Worm Shaft Retainer	RD20406	Washer
RD17812	Spool Washer	RD19994	Washer	RD20408	Counter Weight A
RD17813	Screw	RD19996	Washer	RD20409	Bail Spring
RD17820	Washer	RD20069	Click Spring	RD20412	Spool Washer
RD18199	Washer	RD20150	Line Roller Collar	RD20441	Screw
RD18208	Spacer	RD20240	Drag Knob	RD20632	Washer
RD18221	Screw	RD20243	Bail Assembly	RD21224	Bail Bearing
RD18412	Screw	RD20244	Main Shaft Assembly		
		RD20245	Washer		

(200818)_008

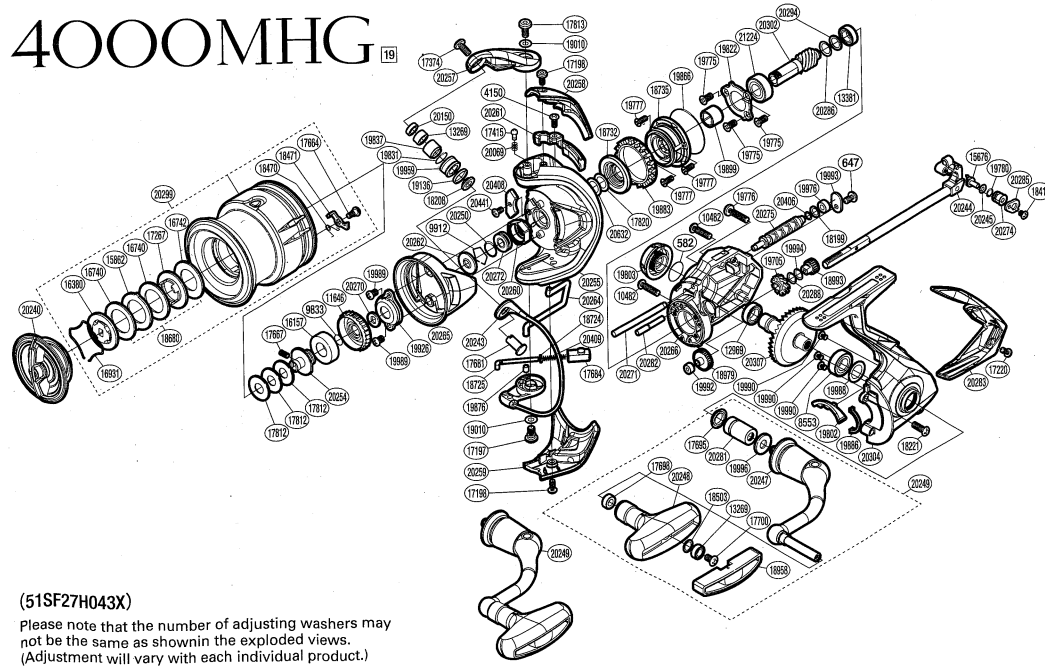
STRADIC 4000



Part No.	Description	Part No.	Description	Part No.	Description
RD 0582	O Ring	RD18503	Washer	RD20243	Bail Assembly
RD 0647	Screw	RD18680	Drag Washer	RD20244	Main Shaft Assembly
RD 4150	Screw	RD18724	Spring Guide A Support	RD20245	Washer
RD 8553	Ball Bearing	RD18725	Bail Spring Guide A	RD20246	Side Cover Assembly
RD 9833	Ratchet Spring	RD18732	Rotor Ring	RD20247	Handle Shank Assembly
RD 9912	Bearing Retainer	RD18735	Roller Clutch Assembly	RD20248	Handle Knob Assembly
RD10482	Screw	RD18958	Handle Knob Seal	RD20249	Handle Assembly
RD11646	Drag Click Ratchet	RD18979	Idle Gear	RD20250	O Ring
RD12969	Ball Bearing	RD18993	Idle Gear (Small)	RD20254	Bearing Bushing
RD13269	Ball Bearing	RD18994	Idle Gear (Large)	RD20255	Rotor
RD13381	Ball Bearing	RD19010	Washer	RD20257	Bail Arm
RD14780	Screw	RD19136	Line Roller Spacer	RD20258	Bail Spring Cover
RD15676	Oscillating Pawl	RD19175	Screw	RD20259	Bail Hold Support Guard
RD15862	Eared Washer	RD19776	Screw	RD20260	Rotor Nut
RD16157	Spool Bushing	RD19777	Screw	RD20261	Counter Weight
RD16380	Key Washer	RD19780	O Ring	RD20262	Bearing Water Proof
RD16740	Drag Washer	RD19802	Bail Trip Strike	RD20264	Bail Trip Lever
RD16742	Drag Washer	RD19803	Handle Screw Cap	RD20265	Rotor Brim
RD16931	Drag Washer Retainer	RD19822	Bearing Retainer	RD20266	Body
RD17183	Drag Click Spring	RD19831	O Ring	RD20267	Pinion Gear
RD17184	Drag Click	RD19837	Line Roller Bushing	RD20270	Spool Support
RD17197	Screw	RD19866	O Ring	RD20271	Oscillating Guide A
RD17198	Screw	RD19876	Bail Spring Guide A Bush	RD20272	Main Shaft Collar
RD17220	Screw	RD19883	Friction Ring	RD20274	Oscillating Slider Bushing
RD17267	Key Washer	RD19886	Flange Water Proof	RD20275	Worm Shaft
RD17374	Screw	RD19899	Roller Clutch Inner	RD20281	Handle Shaft Cover B
RD17415	Click Pin	RD19926	Rotor Nut Lock Plate	RD20282	Idle Gear B Shaft
RD17667	Set Screw	RD19959	Line Roller	RD20283	Rear Protector
RD17681	Line Roller Support	RD19976	Worm Bushing (Rear)	RD20285	Oscillating Pawl Cover
RD17684	Bail Spring Guide B	RD19988	Washer	RD20286	Washer
RD17695	Handle Shaft Seal	RD19989	Screw	RD20288	Washer
RD17698	Handle Knob Bushing	RD19990	Screw	RD20294	Washer
RD17700	Screw	RD19992	Worm Bushing (Front)	RD20297	Drive Gear
RD17812	Spool Washer	RD19993	Worm Shaft Retainer	RD20406	Washer
RD17813	Screw	RD19994	Washer	RD20408	Counter Weight A
RD17820	Washer	RD19996	Washer	RD20409	Bail Spring
RD18199	Washer	RD20069	Click Spring	RD20441	Screw
RD18208	Spacer	RD20150	Line Roller Collar	RD20632	Washer
RD18221	Screw	RD20240	Drag Knob	RD21224	Bail Bearing
RD18412	Screw	RD20241	Spool Assembly		

(200818)_008

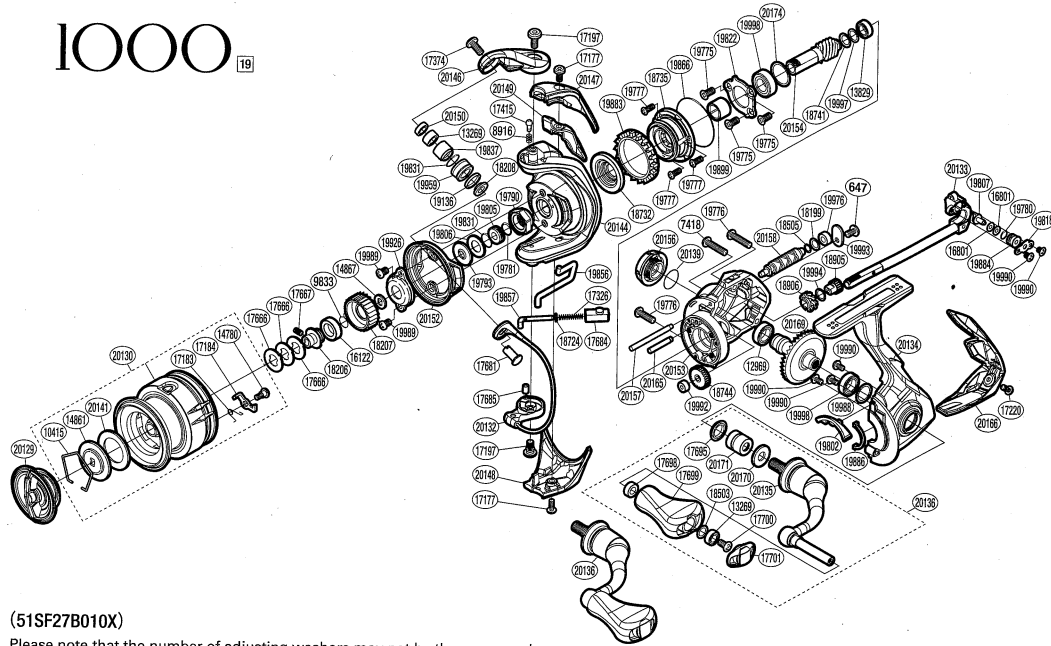
STRADIC 4000MHG



Part No.	Description	Part No.	Description	Part No.	Description
RD 0582	O Ring	RD18503	Washer	RD20244	Main Shaft Assembly
RD 0647	Screw	RD18680	Drag Washer	RD20245	Washer
RD 4150	Screw	RD18724	Spring Guide A Support	RD20247	Handle Shank Assembly
RD 8553	Ball Bearing	RD18725	Bail Spring Guide A	RD20248	Handle Knob Assembly
RD 9833	Ratchet Spring	RD18732	Rotor Ring	RD20249	Handle Assembly
RD 9912	Bearing Retainer	RD18735	Roller Clutch Assembly	RD20250	O Ring
RD10482	Screw	RD18958	Handle Knob Seal	RD20254	Bearing Bushing
RD11646	Drag Click Ratchet	RD18979	Idle Gear	RD20255	Rotor
RD12969	Ball Bearing	RD18993	Idle Gear (Small)	RD20257	Bail Arm
RD13269	Ball Bearing	RD18994	Idle Gear (Large)	RD20258	Bail Spring Cover
RD13381	Ball Bearing	RD19010	Washer	RD20259	Bail Hold Support Guard
RD14780	Screw	RD19136	Line Roller Spacer	RD20260	Rotor Nut
RD15676	Oscillating Pawl	RD19175	Screw	RD20261	Counter Weight
RD15862	Eared Washer	RD19776	Screw	RD20262	Bearing Water Proof
RD16157	Spool Bushing	RD19777	Screw	RD20264	Bail Trip Lever
RD16380	Key Washer	RD19780	O Ring	RD20265	Rotor Brim
RD16740	Drag Washer	RD19802	Bail Trip Strike	RD20266	Body
RD16742	Drag Washer	RD19803	Handle Screw Cap	RD20267	Pinion Gear
RD16931	Drag Washer Retainer	RD19822	Bearing Retainer	RD20270	Spool Support
RD17197	Screw	RD19831	O Ring	RD20271	Oscillating Guide A
RD17198	Screw	RD19837	Line Roller Bushing	RD20272	Main Shaft Collar
RD17220	Screw	RD19866	O Ring	RD20274	Oscillating Slider Bushing
RD17267	Key Washer	RD19876	Bail Spring Guide A Bush	RD20275	Worm Shaft
RD17374	Screw	RD19883	Friction Ring	RD20281	Handle Shaft Cover B
RD17415	Click Pin	RD19886	Flange Water Proof	RD20282	Idle Gear B Shaft
RD17667	Set Screw	RD19899	Roller Clutch Inner	RD20283	Rear Protector
RD17681	Line Roller Support	RD19926	Rotor Nut Lock Plate	RD20285	Oscillating Pawl Cover
RD17684	Bail Spring Guide B	RD19959	Line Roller	RD20286	Washer
RD17695	Handle Shaft Seal	RD19976	Worm Bushing (Rear)	RD20288	Washer
RD17698	Handle Knob Bushing	RD19988	Washer	RD20294	Washer
RD17700	Screw	RD19989	Screw	RD20299	Spool Assembly
RD17812	Spool Washer	RD19990	Screw	RD20302	Pinion Gear
RD17813	Screw	RD19992	Worm Bushing (Front)	RD20304	Side Cover Assembly
RD17820	Washer	RD19993	Worm Shaft Retainer	RD20307	Drive Gear
RD18199	Washer	RD19994	Washer	RD20406	Washer
RD18208	Spacer	RD19996	Washer	RD20408	Counter Weight A
RD18221	Screw	RD19996	Washer	RD20409	Bail Spring
RD18412	Screw	RD20069	Click Spring	RD20441	Screw
RD18470	Drag Click Spring	RD20150	Line Roller Collar	RD20632	Washer
RD18471	Drag Click	RD20240	Drag Knob	RD21224	Bail Bearing
		RD20243	Bail Assembly		

(200818)_008

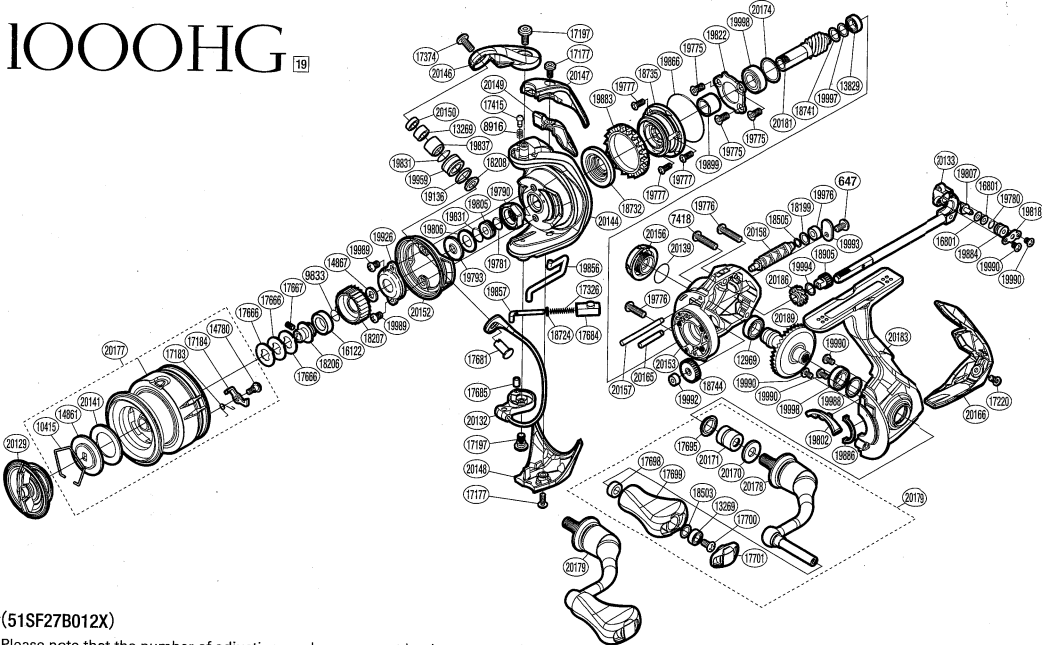
STRADIC 1000 ¹⁹



(51SF27B010X)

Please note that the number of adjusting washers may not be the same as shown in the exploded views. (Adjustment will vary with each individual product.)

STRADIC 1000HG ¹⁹



(51SF27B012X)

Please note that the number of adjusting washers may not be the same as shown in the exploded views. (Adjustment will vary with each individual product.)

Part No.	Description	Part No.	Description	Part No.	Description
RD 0647	Screw	RD18503	Washer	RD19888	Washer
RD 7418	Screw	RD18505	Washer	RD19989	Screw
RD 8916	Click Spring	RD18724	Spring Guide A Support	RD19990	Screw
RD 9833	Ratchet Spring	RD18732	Rotor Ring	RD19992	Worm Bushing (Front)
RD10415	Drag Washer Retainer	RD18735	Roller Clutch Assembly	RD19993	Worm Shaft Retainer
RD12969	Ball Bearing	RD18741	Washer	RD19994	Washer
RD13269	Ball Bearing	RD18744	Idle Gear	RD19997	Washer
RD13829	Ball Bearing	RD18905	Idle Gear S	RD19998	Ball Bearing
RD14780	Screw	RD18906	Idle Gear L	RD20129	Drag Knob Assembly
RD14861	Key Washer	RD19136	Line Roller Spacer	RD20130	Spool Assembly
RD14867	Spool Support	RD19775	Screw	RD20132	Bail Assembly
RD16122	Spool Bushing	RD19776	Screw	RD20133	Main Shaft Assembly
RD16801	Washer	RD19777	Screw	RD20134	Side Cover Assembly
RD17177	Screw	RD19780	O Ring	RD20135	Handle Shank Assembly
RD17183	Drag Click Spring	RD19781	O Ring	RD20136	Handle Assembly
RD17184	Drag Click	RD19790	Rotor Nut	RD20139	O Ring
RD17197	Screw	RD19793	Bearing Water Proof	RD20141	Drag Washer
RD17220	Screw	RD19802	Bail Trip Strike	RD20144	Rotor
RD17326	Bail Spring	RD19805	Main Shaft Collar	RD20146	Bail Arm
RD17374	Screw	RD19806	Washer	RD20147	Bail Spring Cover
RD17415	Click Pin	RD19807	Oscillating Pawl	RD20148	Bail Hold Support Guard
RD17666	Spool Washer	RD19818	Oscillating Pawl Cover	RD20149	Counter Weight
RD17667	Set Screw	RD19822	Bearing Retainer	RD20150	Line Roller Collar
RD17681	Line Roller Support	RD19831	O Ring	RD20152	Rotor Brim
RD17684	Bail Spring Guide B	RD19837	Line Roller Bushing	RD20153	Body
RD17685	Bail Spring Guide A Bush	RD19856	Bail Trip Lever	RD20154	Pinion Gear
RD17695	Handle Shaft Seal	RD19857	Bail Spring Guide A	RD20156	Handle Screw Cap
RD17698	Handle Knob Bushing	RD19866	O Ring	RD20157	Oscillating Guide A
RD17699	Handle Knob	RD19883	Friction Ring	RD20158	Worm Shaft
RD17700	Screw	RD19884	Oscillating Slider Bushing	RD20165	Idle Gear B Shaft
RD17701	Handle Knob Seal	RD19886	Flange Water Proof	RD20166	Rear Protector
RD18199	Washer	RD19899	Roller Clutch Inner	RD20169	Drive Gear
RD18206	Bearing Bushing	RD19926	Rotor Nut Lock Plate	RD20170	Washer
RD18207	Drag Click Ratchet	RD19959	Line Roller	RD20171	Handle Shaft Cover B
RD18208	Spacer	RD19976	Worm Bushing (Rear)	RD20174	Washer

(210514)_006

Printed in Malaysia P-012

Part No.	Description	Part No.	Description	Part No.	Description
RD 0647	Screw	RD18503	Washer	RD19889	Screw
RD 7418	Screw	RD18505	Washer	RD19990	Screw
RD 8916	Click Spring	RD18724	Spring Guide A Support	RD19992	Worm Bushing (Front)
RD 9833	Ratchet Spring	RD18732	Rotor Ring	RD19993	Worm Shaft Retainer
RD10415	Drag Washers Retainer	RD18735	Roller Clutch Assembly	RD19994	Washer
RD12969	Ball Bearing	RD18741	Washer	RD19997	Washer
RD13269	Ball Bearing	RD18744	Idle Gear	RD19998	Ball Bearing
RD13829	Ball Bearing	RD18905	Idle Gear S	RD20129	Drag Knob Assembly
RD14780	Screw	RD19136	Line Roller Spacer	RD20132	Bail Assembly
RD14861	Key Washer	RD19775	Screw	RD20133	Main Shaft Assembly
RD14867	Spool Support	RD19776	Screw	RD20139	O Ring
RD16122	Spool Bushing	RD19777	Screw	RD20141	Drag Washer
RD16801	Washer	RD19780	O Ring	RD20144	Rotor
RD17177	Screw	RD19781	O Ring	RD20146	Bail Arm
RD17183	Drag Click Spring	RD19790	Rotor Nut	RD20147	Bail Spring Cover
RD17184	Drag Click	RD19793	Bearing Water Proof	RD20148	Bail Hold Support Guard
RD17197	Screw	RD19802	Bail Trip Strike	RD20149	Counter Weight
RD17220	Screw	RD19805	Main Shaft Collar	RD20150	Line Roller Collar
RD17326	Bail Spring	RD19806	Washer	RD20152	Rotor Brim
RD17374	Screw	RD19807	Oscillating Pawl	RD20153	Body
RD17415	Click Pin	RD19818	Oscillating Pawl Cover	RD20156	Handle Screw Cap
RD17666	Spool Washer	RD19822	Bearing Retainer	RD20157	Oscillating Guide A
RD17667	Set Screw	RD19831	O Ring	RD20158	Worm Shaft
RD17681	Line Roller Support	RD19837	Line Roller Bushing	RD20165	Idle Gear B Shaft
RD17684	Bail Spring Guide B	RD19856	Bail Trip Lever	RD20166	Rear Protector
RD17685	Bail Spring Guide A Bush	RD19857	Bail Spring Guide A	RD20170	Washer
RD17695	Handle Shaft Seal	RD19866	Ring	RD20171	Handle Shaft Cover B
RD17698	Handle Knob Bushing	RD19883	Friction Ring	RD20174	Washer
RD17699	Handle Knob	RD19884	Oscillating Slider Bushing	RD20177	Spool Assembly
RD17700	Screw	RD19886	Flange Water Proof	RD20178	Handle Shank Assembly
RD17701	Handle Knob Seal	RD19899	Roller Clutch Inner	RD20179	Handle Assembly
RD18199	Washer	RD19926	Rotor Nut Lock Plate	RD20181	Pinion Gear
RD18206	Bearing Bushing	RD19959	Line Roller	RD20183	Side Cover Assembly
RD18207	Drag Click Ratchet	RD19976	Worm Bushing (Rear)	RD20186	Idle Gear L
RD18208	Spacer	RD19988	Washer	RD20189	Drive Gear

(210514)_006