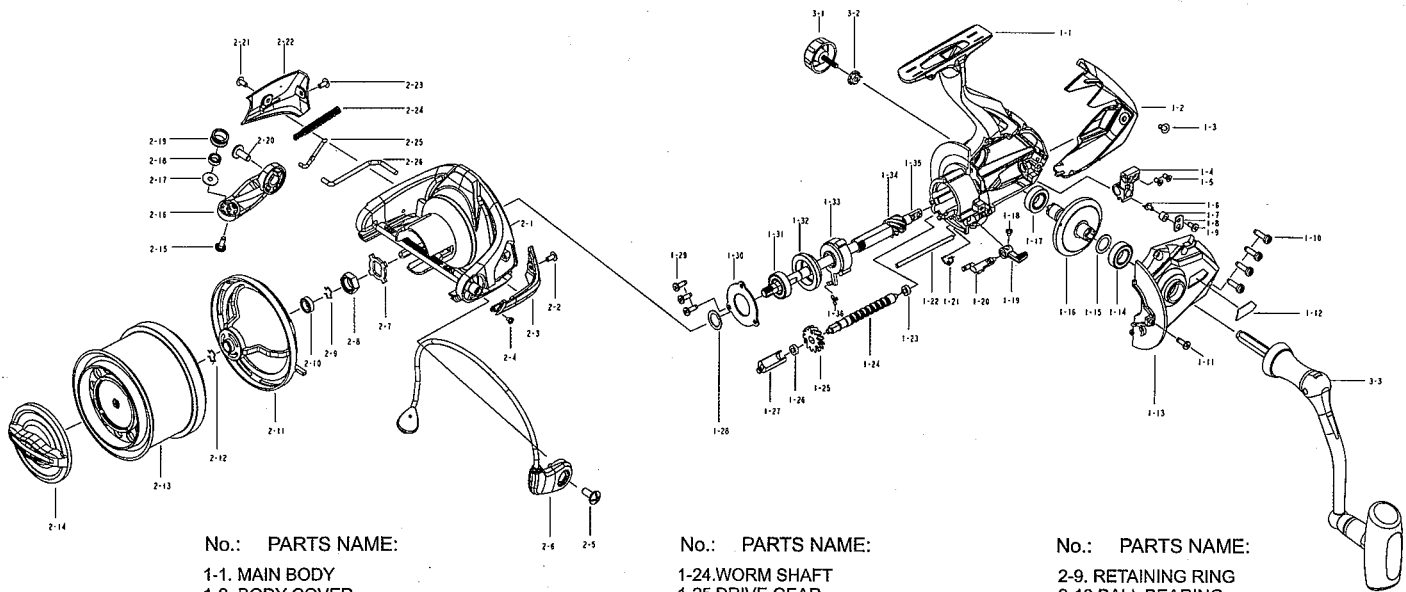


# EXPLODE DRAWING



No.: PARTS NAME:

- 1-1. MAIN BODY
- 1-2. BODY COVER
- 1-3. SCREW
- 1-4. SLIDER
- 1-5. SCREW
- 1-6. LINE GUIDE PIN
- 1-7. BUSHING
- 1-8. LINE GUIDE PIN COVER
- 1-9. SCREW
- 1-10. SCREW
- 1-11. BODY COVER SCREW
- 1-12. BODY COVER
- 1-13. MAIN COVER
- 1-14. BALL BEARING
- 1-15. WASHER
- 1-16. MAIN GEAR
- 1-17. BALL BEARING
- 1-18. SCREW
- 1-19. ANTI-REVERSE BUTTON
- 1-20. ANTI-REVERSE LEVER
- 1-21. SPRING
- 1-22. OSSCILATING SLIDER PIN
- 1-23. BALL BEARING

No.: PARTS NAME:

- 1-24. WORM SHAFT
- 1-25. DRIVE GEAR
- 1-26. BALL BEARING
- 1-27. WORM SHAFT COLLAR
- 1-28. WASHER
- 1-29. SCREW
- 1-30. OWC COVER
- 1-31. BALL BEARING
- 1-32. BUSHING
- 1-33. ONE WAY CLUTCH
- 1-34. PINION GEAR
- 1-35. MAIN SHAFT
- 1-36. SCREW
- 2-1. ROTOR
- 2-2. SCREW
- 2-3. ROTOR COVER
- 2-4. SCREW
- 2-5. SCREW
- 2-6. BAIL ARM
- 2-7. FIX COVER
- 2-8. ROTOR NUT

No.: PARTS NAME:

- 2-9. RETAINING RING
- 2-10. BALL BEARING
- 2-11. LINE GUARD
- 2-12. RETAINING RING
- 2-13. SPOOL ASSEMBLY
- 2-14. DRAG BUTTON ASSEMBLY
- 2-15. SCREW
- 2-16. BAIL ARM
- 2-17. WASHER
- 2-18. BALL BEARING
- 2-19. LINE ROLLER
- 2-20. SCREW
- 2-21. SCREW
- 2-22. SCREW
- 2-23. SCREW
- 2-24. SPRING
- 2-25. BAIL TRIP SHAFT
- 2-26. BAIL TRIP SHAFT
- 3-1. HANDLE COVER
- 3-2. WASHER
- 3-3. HANDLE ASSEMBLY