

SILVA

FULL VERSION MANUAL ETERNA BINOCULARS



Art. no
Eterna Marine: 37767
Eterna Navigator: 37768

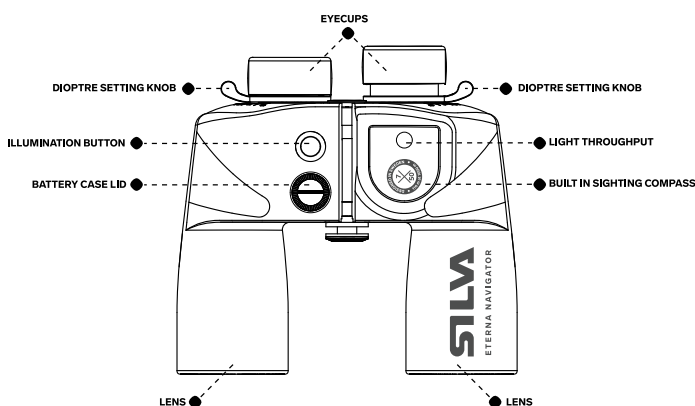


PRODUCT OVERVIEW

The Eterna packaging contains the following parts:

- Binoculars
- Neck strap
- Cleaning cloth
- 4x Protective caps
- Quick guide
- Carrying case
- 2xLR43 Batteries (Eterna Navigator only)

The Eterna binocular has the following parts:
(compass included in Eterna Navigator only)



BEFORE USE

INSERTING/CHANGING THE BATTERIES

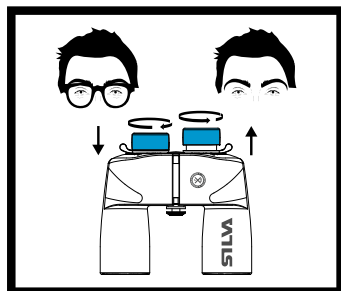
1. Turn the battery case lid anticlockwise out of the thread with the help of a coin.
2. Insert both batteries (type: LR43) – the plus pole of both batteries must face upwards.
3. Replace the battery compartment lid and screw it firmly back on, to ensure that water-tightness is safeguarded.

Do not touch the batteries with your bare hands, use a cloth instead; residues have insulating effect and could diminish the battery voltage. Where applicable, wipe the batteries of with a lint-free cloth before inserting them.

DURING USE

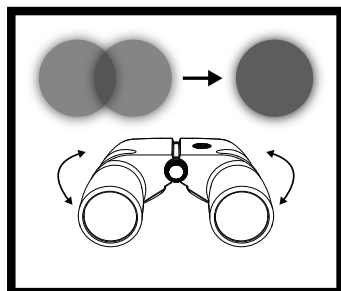
TWIST-UP RUBBER EYECUPS

Persons wearing spectacles must overturn the rubber eyecups when using the binoculars. This simplifies observation and magnifies the field of vision.



SETTING THE DISTANCE BETWEEN THE EYES

- Hold the binoculars with both hands and look through the eyepiece.
- Move the binoculars at the grips in such a way that you only have one circle in the field of vision.

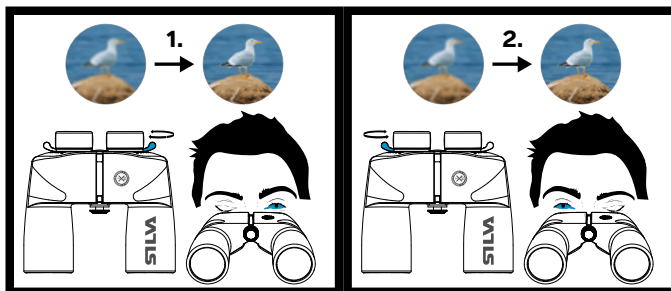


FOCUSING

A key feature of the Eterna is the individual focusing function that, after a one-off adjustment for individual eyesight, gives the freedom to directly focus on a desired object without manual focusing! Perfect in rough seas.

Initial focusing adjustment:

1. Close your right eye.
2. Adjust the focus by turning the left dioptre setting knob until you have a clear and sharp view.
3. Repeat by closing your left eye instead.
4. Now you can focus directly on a desired object without further manual adjustments.



ILLUMINATED COMPASS (Eterna Navigator only)

If you look through the binoculars, you'll see a 360° scale. If you can read 360° in the centre, you are looking towards North (South = 180°).

The compass is fitted with a lighting to enable you to read it more easily in dusk or dawn. Always keep the lighting button pressed to switch it on. Let go of the button to switch the lighting off.

FLOATABLE

These binoculars are designed for marine use. If you should be unlucky enough to drop them in the water, Eterna Marine will float!

AFTER USE

MAINTENANCE

- Clean the lenses with the enclosed cleaning cloth. Do not apply too much pressure when wiping the lens.
- If you still see some dirt particles, moisten a soft, lint-free cloth with cleaning detergent or pure alcohol and clean the lenses and eyepieces.
- Never spray cleaning liquid directly on the eyepiece or lens. Always spray it onto a lint-free cloth first.
- After use, place the protective caps on the lenses and eyepieces and insert the binoculars into the carrying case.

SAFETY WARNINGS

- Batteries are life-threatening if swallowed. Therefore, keep the batteries and binoculars out of reach of infants.
- Never look at the sun through the binoculars - this could lead to blindness.
- Never leave the binoculars exposed to direct sunlight. There is risk that they might start a fire.

PROTECTING THE ENVIRONMENT.

Binoculars, batteries and packaging are recyclable. Please dispose these items at designated recycling stations.

WARRANTY

Silva warrants that, for a period of two (2) years*, your Silva Product will be substantially free of defects in materials and workmanship under normal use. Silva's liability under this warranty is limited to repairing or replacing the product. This limited warranty extends only to the original purchaser.

If the Product proves defective during the Warranty Period, please contact the original place of purchase. Make sure to have your proof of purchase on hand when returning the product. Returns cannot be processed without the original proof of purchase. This warranty does not apply if the Product has been altered, not been installed, operated, repaired, or maintained in accordance with instructions supplied by Silva, or has been subjected to abnormal physical or electrical stress, misuse, negligence or accident. Neither does the warranty cover normal wear and tear. Silva is not responsible for any consequences, direct or indirect, or damage resultant from use of this product. In no event, will Silva's liability exceed the amount paid by you for the product. Some jurisdictions do not allow the exclusion or limitation of incidental or consequential damages, so the above limitation or exclusion may not apply to you. This Warranty is valid and may be processed only in the country of purchase.

* Batteries: 1 year

For more information please visit www.silva.se



Visit: www.silva/environment
for more information about the
Waste Electrical and Electronic
Equipment (WEEE) Directive.