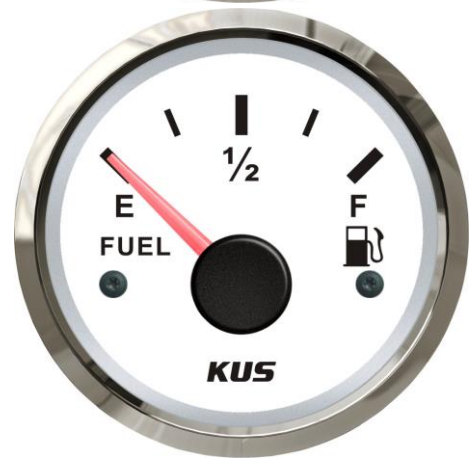
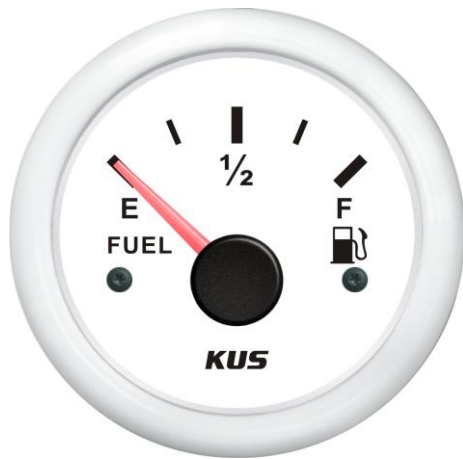


## Product Data Sheet



**Description:** The Fuel/Diesel Level Gauges allow the user to remotely monitor the liquid level in the tank. These level gauges will work with any level sender with the corresponding resistive output.

**Product Type:** Fuel Level Gauge

**Product Name:** CPFR

**Bezel:** SUS 316 Stainless Steel

Black or White Plastic

**Face Plate:** Black

White

**Mounting Dimension:** 52mm, 2"

**Protection Rating:** IP 67

**Input Signal:** 240~33Ω  
0~180Ω

Custom signal available

**Indicating Range:** Empty- Full

**Operating Voltage:** 12V/24V

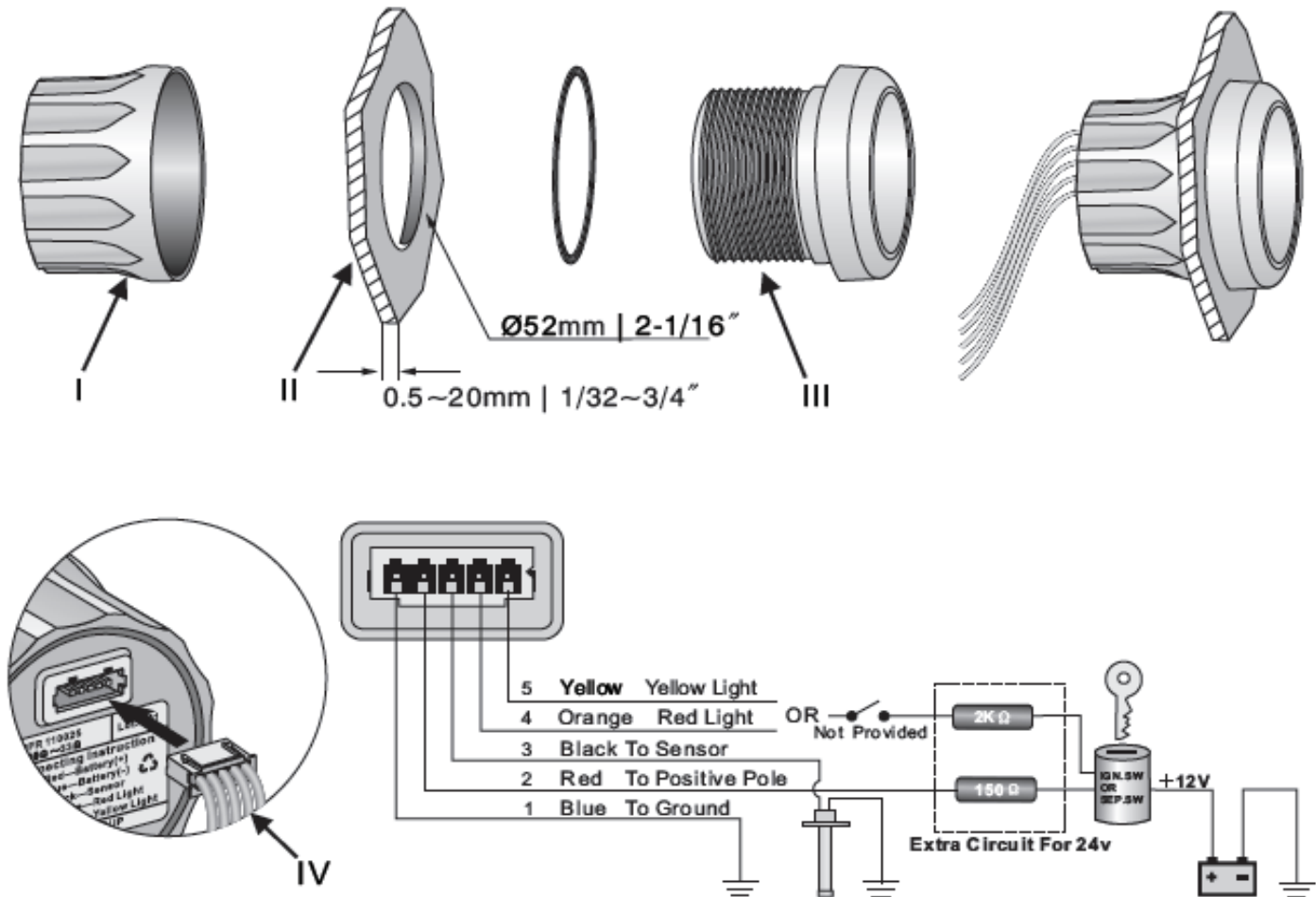
**Background light** Red or Yellow LED

Custom color available

**Connector:** Multi-plug socket connection

**Movement:** Cross coil motor movement

## Installation Instructions



## INSTALLATION STEPS

1. Cut a 52mm (2 1/16") diameter panel hole (II). You will need a minimum clearance of 55mm (2 3/16") behind the panel to fit the gauge.
2. Remove fastening ring (I). There is an alignment tab on the gauge body (III), place the gauge in the panel hole and mark the position of this tab to correctly align the gauge.
3. Insert gauge through panel from the front, fit and tighten fastening ring (I) from the rear.
4. Connect wires according to wiring instruction. Note the use of dropping resistors for 24V circuit. Select either Orange or Yellow wires for backlighting. Wire colour corresponds with backlight colour.
5. Insert wire harness (IV) into port at the back of the gauge.
6. Please note, if the gauge is a voltmeter there is no black wire or resistors in the kit.